

Nomenclature des pièces détachées / Exploded view

JØTUL PF 1034

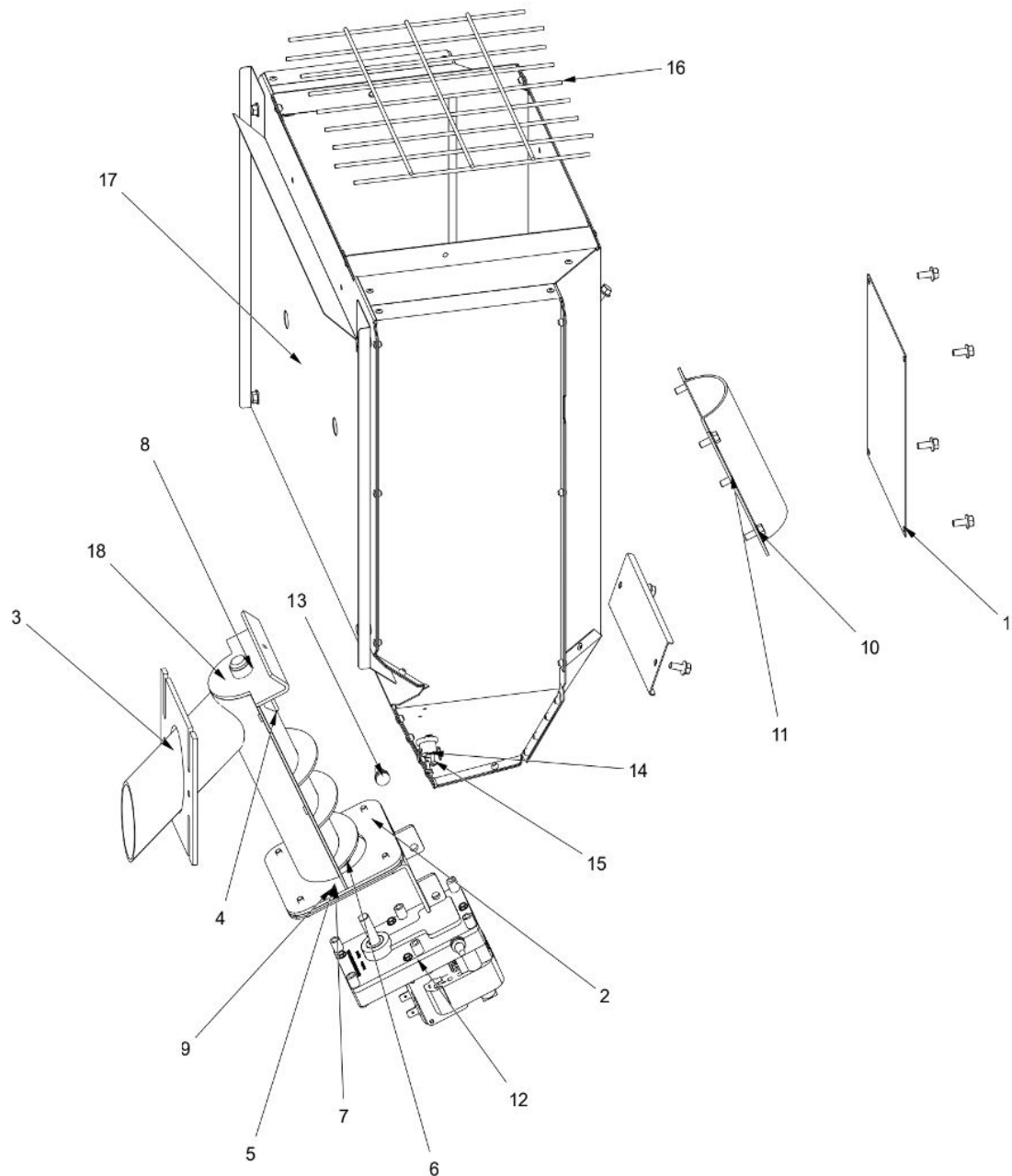


N°	CODICE	DESCRIZIONE IT	DESCRIZIONE EN
0	03B00051A	PORTA COMPLETA	DOOR ASSEMBLY
1	70B00027N	VETRO PIANO CERAMICO SERIGRAFATO	SCREEN-PRINTED CERAMIC FLAT GLASS
2	44064-R	TRECCIA TRICOVET GRIGIA D.16	GREY TRICOVET BRAID D.16
2	44064-R1	TRECCIA TRICOVET GRIGIA D.16	GREY TRICOVET BRAID D.16
3	NE1236	VITE AUTOFORMANTE TE TF M5X12	SELF-TAPPING HEX HEAD SCREW TF M5X12
4	NE1003	RIVET.STRAP.AL/AC 4X8 DIN7337L	RIVET.STRAP.AL/AC 4X8 DIN7337L
5	1800-12-004-R	NASTRO DI VETRO TRICOTEE 10X3	TRICOTEE GLASS TAPE 10X3
5	1800-12-004-R1	NASTRO DI VETRO TRICOTEE 10X3	TRICOTEE GLASS TAPE 10X3

Nomenclature des pièces détachées / Exploded view

JØTUL PF 1034





Nomenclature des pièces détachées / Exploded view

JØTUL PF 1034

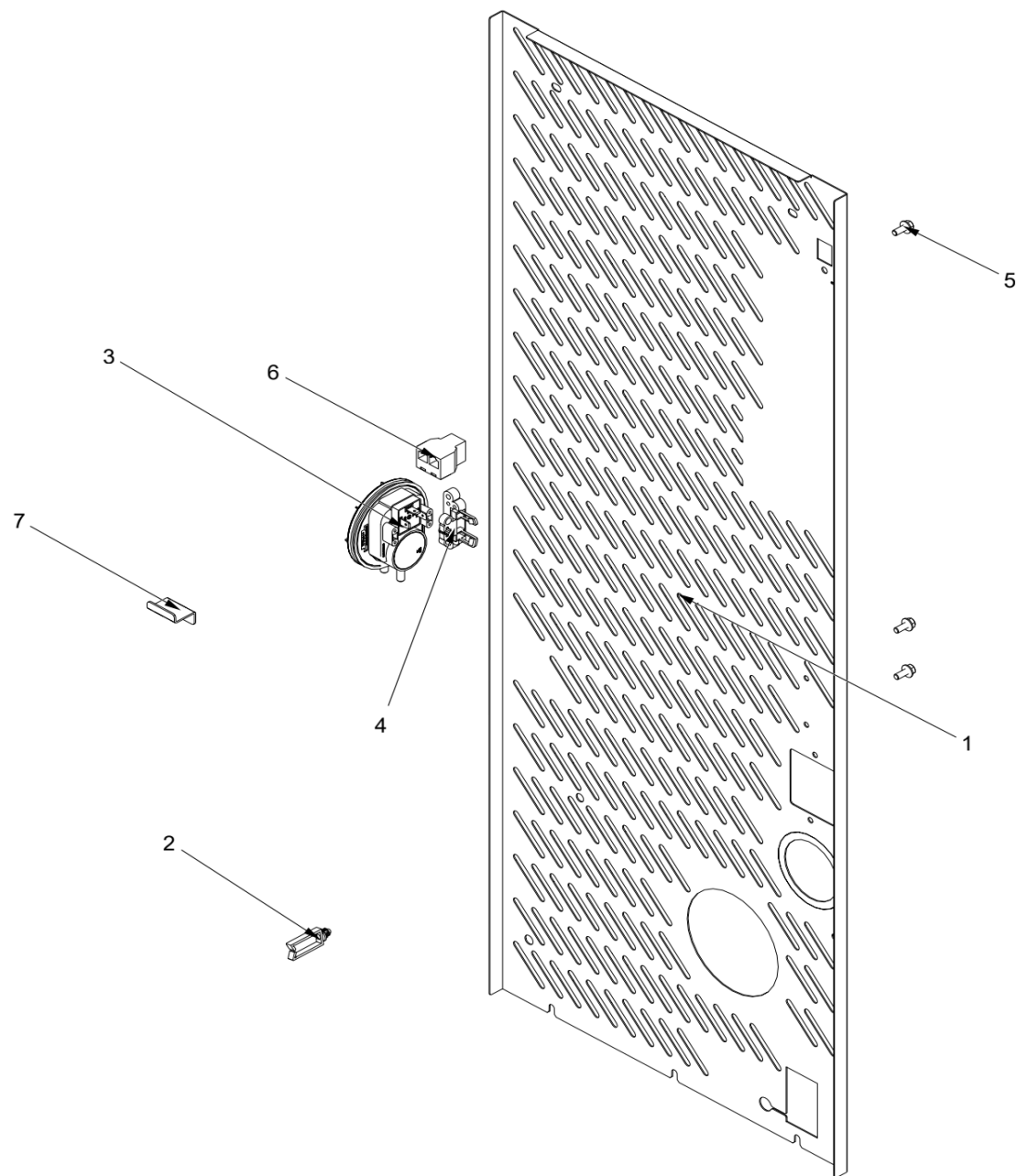


N°	CODICE	DESCRIZIONE IT	DESCRIZIONE EN
0	08X00115A	ASSIEME TRAMOGGIA E CARICAMENTO PELLETTI PF1033	HOPPER AND PELLET LOADING ASSEMBLY PF1033
1	2700-00-031	ISPEZIONE TRAMOGGIA	HOPPER INSPECTION
2	NE1236	VITE AUTOFORMANTE TE TF M5X12	SELF-TAPPING HEX HEAD SCREW TF M5X12
3	120-13-001S-BLK	ASS.STRUTTURA FISS.COCLEA VERN	PAINT AUGER FIX.STRUCTURE ASSEMB.
4	070-05-001S	ASSIEME COCLEA	AUGER ASSEMBLY
5	44000	GOMMA DISTANZIALE	SPACER RUBBER
6	070-13-008N	PIASTRA MOTORIDUTTORE	GEARMOTOR PLATE
7	66139	BUSSOLA MOTORIDUTTORE	GEARMOTOR BUSH
8	66094	BOCCOLA HIMON TFF 161812 MUEO	HIMON BUSHING TFF 161812 MUEO
9	NE1066	GRANO PUN.CON.45H 8X16 UNI5927	CONICAL TIP GRUB SCREW 45H 8X16 UNI5927
10	NE1236	VITE AUTOFORMANTE TE TF M5X12	SELF-TAPPING HEX HEAD SCREW TF M5X12
11	1800-00-013	COPERTURA COCLEA	AUGER COVER
12	PNEG00012	MOTORIDUTTORE 2rpm CW-250V	MOTOR REDUCER 2rpm CW-250V
13	66140	GOMMINO PARACOLPI 2 ANELLI	SHOCK ABSORBER RUBBER 2 RINGS
14	PNEH00009	TERMOSTATO CAMPINI COREL	COREL CAMPINI THERMOSTAT
15	NE1079	VITE AUTOFILET.3.9X9,5 DIN7981	SELF-TAPPING SCREW 3.9X9.5 DIN7981
16	130-66-013N	GRIGLIA PROTEZIONE MANI	HAND PROTECTION GRID
17	08X00112A	ASSIEME TRAMOGGIA PF1033	HOPPER ASSEMBLY PF1033
18	120-13-001A	ASSIEME FISS.COCLEA COMPLETA	COMPLETE AUGER FIXED ASSEMBLY

Nomenclature des pièces détachées / Exploded view

JØTUL PF 1034





Nomenclature des pièces détachées / Exploded view

JØTUL PF 1034

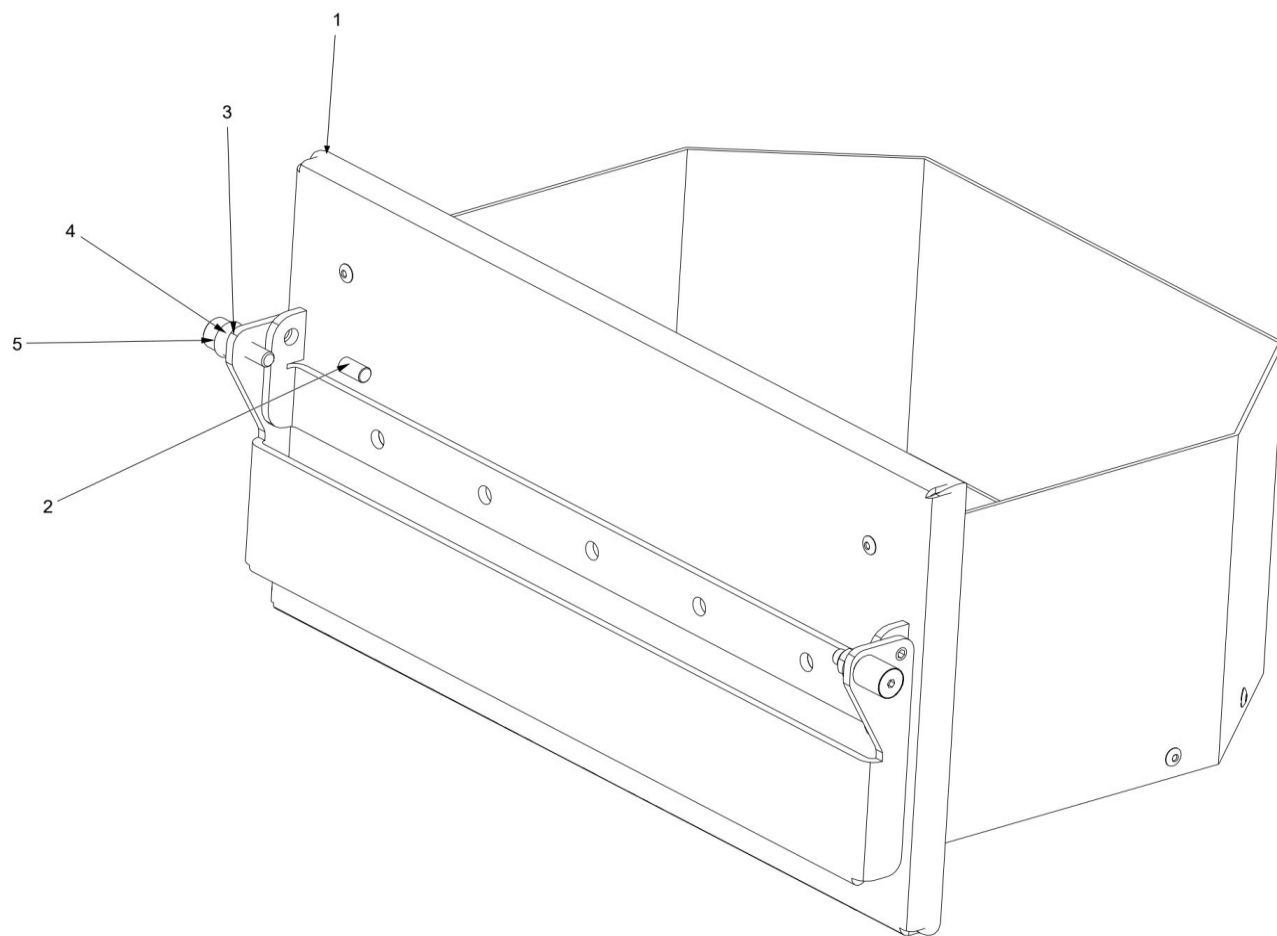


N°	CODICE	DESCRIZIONE IT	DESCRIZIONE EN
0	10K00053A	ASS.GRIGLIA POSTERIORE PF1033	REAR GRID ASS. PF1033
1	10K00079N	PANNELLO POSTERIORE PF1033	REAR PANEL PF1033
2	PNEB00004	FERMACAVO A CHIUSURA DALL'ALTO 10695AA00	TOP-LOCKING CABLE HOLDER 10695AA00
3	PNEH00005	PRESSOSTATO HUBA CONTROL TYPE 605 - 10 Pa	HUBA CONTROL PRESSURE SWITCH TYPE 605 - 10 Pa
4	PNEB00002	CLIP PER PRESSOSTATO HUBA TYPE 605	CLIP FOR HUBA PRESSURE SWITCH TYPE 605
5	NE1236	VITE AUTOFORMANTE TE FL. M5x12 FOSFATATA NERA DIN7500 BN33	SELF-TAPPING HEX HEAD SCREW FL. M5x12 PHOSPHATED BLACK DIN7
6	PNEC00104	SDOPPIATORE TELEFONICO RJ12 (ELCART art. 40/25510-00)	TELEPHONE SPLITTER RJ12 (ELCART art. 40/25510-00)
7	11J00198N	SUPPORTO SPLITTER DISPLAY	DISPLAY SPLITTER SUPPORT

Nomenclature des pièces détachées / Exploded view

JØTUL PF 1034





Nomenclature des pièces détachées / Exploded view

JØTUL PF 1034

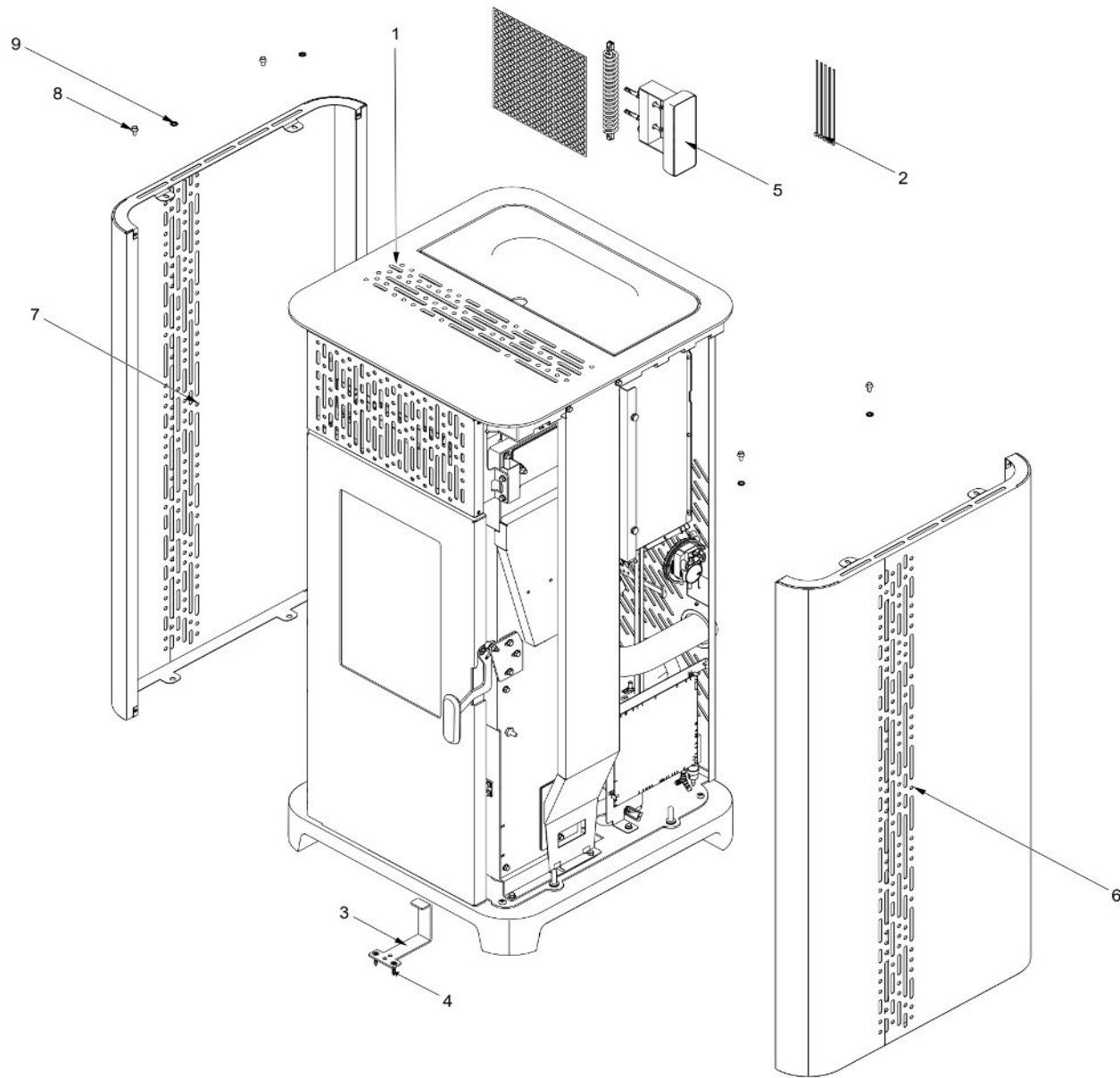


N°	CODICE	DESCRIZIONE IT	DESCRIZIONE EN
0	100-12-006A	ASSIEME CASSETTO	DRAWER ASSEMBLY
1	1800-00-067-R	TRECCIA DI VETRO TRECOVET D.14	TRECOVET GLASS BRAID D.14
1	1800-00-067-R1	TRECCIA DI VETRO TRECOVET D.14	TRECOVET GLASS BRAID D.14
2	NE1002	GRANO M5X10 CON ESLOOK P.PIAT.	GRUB SCREW M5X10 WITH ESLOOK P.FLAT
3	NE1024	DADO FLANG.AUTOBL.M5 ISO7044	SELF-LOCK. FLANG.NUT M5 ISO7044
4	120-66-022N	BUSSOLA	BUSH
5	NE1039	VITE SV.EI PIANA M5X25 UNI5933	FLAT COUNTERSUNK HEX HEAD SCREW M5X25 UNI5933

Nomenclature des pièces détachées / Exploded view

JØTUL PF 1034





Nomenclature des pièces détachées / Exploded view

JØTUL PF 1034

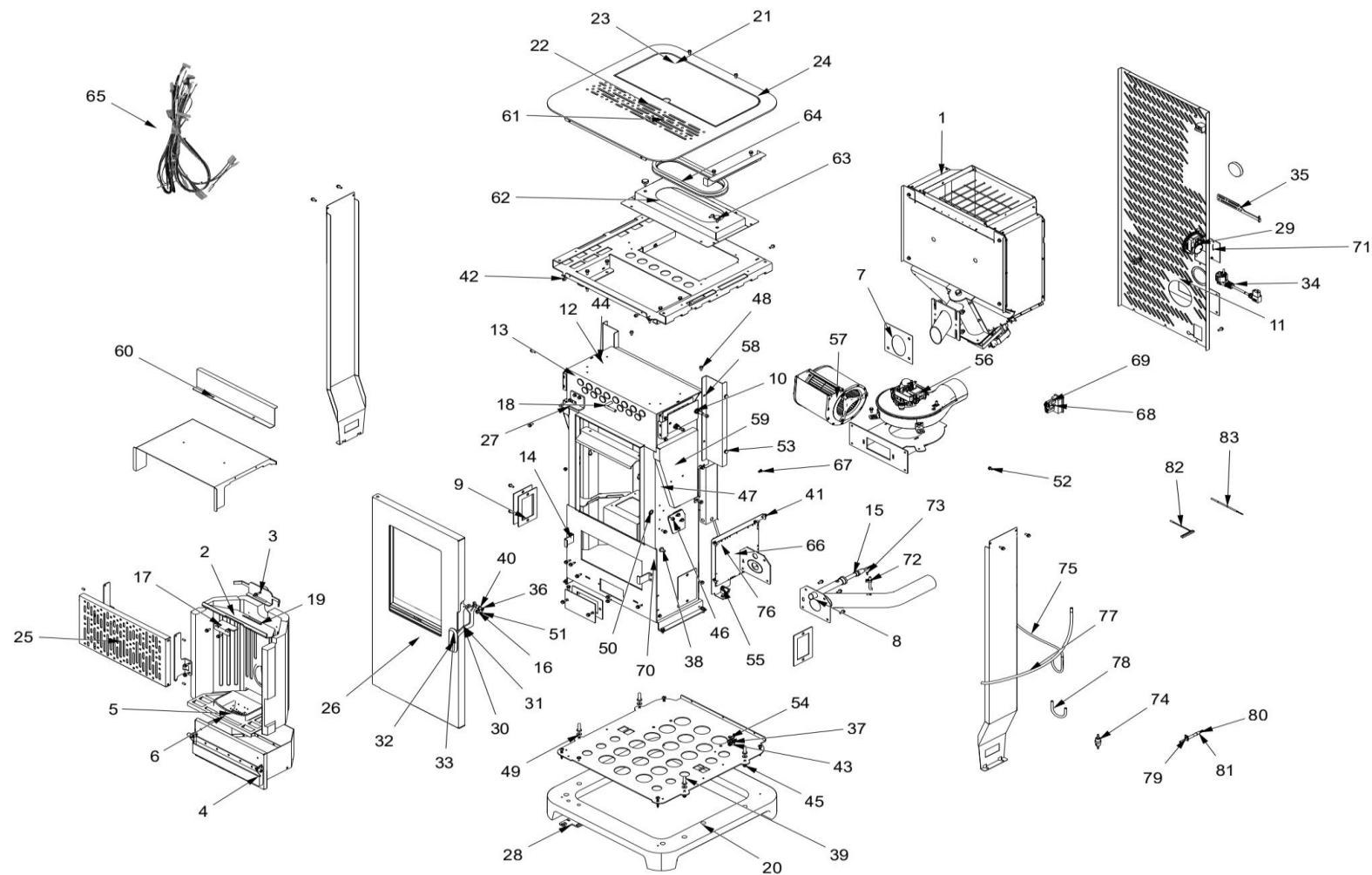


N°	CODICE	DESCRIZIONE IT	DESCRIZIONE EN
0	20070FJ01_A	PF 1034	PF 1034
1	Z0055AZ01	PF1034 PRODOTTO ASSEMBLATO	PF1034 ASSEMBLED PRODUCT
2	44009	FASCETTA STRINGITUBO CV140K	HOSE CLAMP CV140K
3	90E00007N	STAFFA ATTACCO STUFA	STOVE ATTACHMENT BRACKET
4	NE1308	VITE AUTOFILET. DIN7982C FORMA C ST 4.5x25	SELF-T SCREW. DIN7982C SHAPE C ST 4.5x25
5	K0125AZ00	KIT DISPLAY M31	M31 DISPLAY KIT
6	10B00235N-BPK	PANNELLO LAT DESTRO PF1033	RIGHT SIDE PANEL PF1033
6	10B00235N-BRC	PANNELLO LAT DESTRO PF1033	RIGHT SIDE PANEL PF1033
7	10B00237N-BPK	PANNELLO LATERALE SINISTRO PF 1033	LEFT SIDE PANEL PF 1033
7	10B00237N-BRC	PANNELLO LATERALE SINISTRO PF 1033	LEFT SIDE PANEL PF 1033
8	NE1102	VITE A FLANGIA ISO 4162 - M5 x 10 x 16-N	FLANGE SCREW ISO 4162 - M5 X 10 x 16-N
9	NE1385	ROND.DENTELLATA D.5 DIN6798A ZN-NERA	TOOTHED WASHER D.5 DIN6798A ZN-BLACK

Nomenclature des pièces détachées / Exploded view

JØTUL PF 1034





Nomenclature des pièces détachées / Exploded view

JØTUL PF 1034



N°	CODICE	DESCRIZIONE IT	DESCRIZIONE EN
0	Z0055AZ01	PF1034 PRODOTTO ASSEMBLATO	PF1034 ASSEMBLED PRODUCT
1	08X00115A	ASSIEME TRAMOGGIA E CARICAMENTO PELLETT PF1033	HOPPER AND PELLET LOADING ASSEMBLY PF1033
2	14A00006A	KIT VERMICULITE	VERMICULITE KIT
3	100-11-010S	ASS.SQUADRA TAGLIAF.	BAFFLE SQUARE ASS.
4	100-12-006A	ASSIEME CASSETTO	DRAWER ASSEMBLY
5	100-07-001N	BRACERE IN GHISA	CAST IRON BRAZIER
6	100-00-007N-BLK	GRIGLIA BRACERE VERNICIATA	PAINTED BRAZIER GRID
7	070-11-010N	GUARN CARTA SILCAWOOL(CER ECO)	SILCAWOOL PAPER GASKET(CER ECO)
8	100-11-017N	GUARN CARTA SILCAWOOL(CER ECO)	SILCAWOOL PAPER GASKET(CER ECO)
9	100-11-046N	GUARN CARTA SILCAWOOL SP.5	SILCAWOOL PAPER GASKET TH.5
10	100-11-045N	TAPPO	CUP
11	100-11-066N	GUARN CARTA SILCAWOOL(CER ECO)	SILCAWOOL PAPER GASKET(CER ECO)
12	100-66-010N	BUSSOLA	BUSH
13	3000-00-092	MOLLA	SPRING
14	120-11-048N-BLK	STAFFA CASSETTO VERNIC.	PAINT. DRAWER BRACKET
15	55537	CANDELETTA CERAM.PSX-6-B_240V	CERAM.IGNITER PSX-6-B_240V
16	100-66-018N	BUSSOLA	BUSH
17	115-01-015N	ALETTA TAGLIAFIAMMA	FLAME TRAP FLAP
18	014-60-001N	ASTA RASCHIATORE PIEGATA	BENT SCRAPER ROD
19	115-00-002N	TAGLIAFIAMMA	FLAME TRAP
20	10H00034N	BASAMENTO LEGNO GRIGIO CENERE	ASH GREY WOOD BASEMENT
21	10F00016A	TOP ASSEMBLATO	ASSEMBLED TOP
22	10F00017A-BGK	TOP ASSEMBLATO VERN.	PAINT. ASSEMBLED TOP
23	10D00013A-BGK	COPERCHIO TRAMOGGIA VERN.	PAINT. HOPPER COVER
24	NE1002	GRANO M5X10 CON ESLOOK P.PIAT.	GRUB SCREW M5X10 WITH ESLOOK P.FLAT
25	10E00123N-BLK	GRIGLIA FRONTALE	FRONT GRID
26	03B00051A	PORTA COMPLETA	DOOR ASSEMBLY
27	06C00089N-BLK	CERNIERA VERNICIATA	PAINTED HINGE
28	06C00088N-BPK	CERNIERA VERNICIATA	PAINTED HINGE
29	10K00053A	ASS.GRIGLIA POSTERIORE PF1033	REAR GRID ASS. PF1033
30	06A00006A	ASS.MANIGLIA PF911 / PF1033	HANDLE ASS. PF911 / PF1033

Nomenclature des pièces détachées / Exploded view

JØTUL PF 1034



31	06A00005S-BPK	ASSIEME MANIGLIA VERNIC.	PAINT. HANDLE ASSEMBLY
32	06A00040N-BWG	IMPUGNATURA VERNICIATA	PAINTED HANDLE
33	NE1195	VITE SV.EI PIANA M4X12 UNI5933	FLAT COUNTERSUNK HEX HEAD SCREW M4X12 UNI5933
34	PNEF00004	SPINA SCHUKO 90° H05RR-F +IEC	SPINA SCHUKO 90° H05RR-F +IEC
35	23L00005N-BPK	ESTRATTORE JOTUL VERNICIATO	PAINTED JOTUL EXTRACTOR
36	010-03-015N	BUSSOLA CHIUSURA	BUSH CLOSURE
37	PNEH00004	LINGUETTA PER MESSA A TERRA	EARTHING TAB
38	66088	RACCORDO TUBO PRESSOSTATO	PRESSURE SWITCH TUBE CONNECTION
39	40B00008N	CAPPUCCIO SILICONE KAP 204	SILICONE CAP KAP 204
40	3800-00-138	ROTELLA	WHEEL
41	NE1236	VITE AUTOFORMANTE TE TF M5X12	SELF-TAPPING HEX HEAD SCREW TF M5X12
42	NE1102	VITE TE FL. M5X10 DIN 6921 8.8	HEX HEAD SCREW FL. M5X10 DIN 6921 8.8
43	NE1218	ROND.DENTELLATA D.6 DIN 6798	TOOTHED WASHER D.6 DIN 6798
44	NE1277	VITE TE FL. M5X25 DIN 6921	HEX HEAD SCREW FL. M5X25 DIN 6921
45	NE1292	VITE AUTOFORMANTE TE TF M5X20	SELF-TAPPING HEX HEAD SCREW TF M5X20
46	NE1024	DADO FLANG.AUTOBL.M5 ISO7044	SELF-LOCK. FLANG.NUT M5 ISO7044
47	NE1220	VITE TE FL.4.8X9.5 UNI6950	HEX HEAD SCREW FL.4.8X9.5 UNI6950
48	NE1102	GRANO M5X10 CON ESLOOK P.PIAT.	GRUB SCREW M5X10 WITH ESLOOK P.FLAT
49	NE1073	ROND.PIANA ZN 5X15 UNI 6593	FLAT WASHER ZN 5X15 UNI 6593
50	NE1153	ROND.ELAS.CONVES.D.10 DIN137A	CONVEX SPRING WASHER D.10 DIN137A
51	NE1053	VITE SV.EI PIANA M5X16 UNI5933	FLAT COUNTERSUNK HEX HEAD SCREW M5X16 UNI5933
52	PNVV00016	VITE AUTOF.TE FL 4,8x9,5 ZNN	SELF-T. HEX HEAD SCREW FL 4.8x9.5 ZNN
53	66140	GOMMINO PARACOLPI 2 ANELLI	SHOCK ABSORBER RUBBER 2 RINGS
54	PNVV00005	VITE AUTOF. TEFL M4x8 ZN NERA	SELF-TAPPING SCREW TEFL M4x8 ZN BLACK
55	070-66-004N	CLIP FERMA CAVI INNESTO 19X11	COUPLING CABLE RETAINER CLIP 19X11
56	PNEE00009	CAF15Y-156LS ESTRATTORE FUMI	CAF15Y-156LS SMOKE EXTRACTOR
57	PNEA00010	VENT. CENTRIF TRIAL CAD12R-020	EXCHANGER CENTRIF TRIAL CAD12R-020
58	11B00090N-BLK	CARTER LATERALE	LATERAL CRANKCASE
59	11B00091N-BLK	CARTER CALORE	HEAT CRANKCASE
60	11B00092N-BLK	CARTER CALORE	HEAT CRANKCASE

Nomenclature des pièces détachées / Exploded view

JØTUL PF 1034



61	11P00007N-BPK	LAMIERA LATERALE	SIDE SHEET
62	08T00017N-BPK	COPERCHIO GUARNIZIONE EMKA PF1033	GASKET COVER EMKA PF1033
63	06B00072N	MAGNETE SM36.3NI00.2060GM	MAGNET SM36.3NI00.2060GM
64	PNGS00004	GUARNIZIONE TRAMOGGIA PF500 L=630	HOPPER GASKET PF500 L=630
65	PNEC00100	KIT CABLAGGIO PF1033 M31	WIRING KIT PF1033 M31
66	PNEM00016	ASSIEME CENTRALINA [ARIA] + ANTENNA M31	CONTROL UNIT ASSEMBLY [AIR] + ANTENNA M31
67	PNVS00003	RIVETTO PLASTICA NERA 9x5,5	BLACK PLASTIC RIVET 9x5.5
68	55007-KIT	INTER.POLYSNAP BZ01001/S+FUSIB	INTER.POLYSNAP BZ01001/S+FUSIB
69	PNEC00072	PIGTAIL PG7 CON CONTRODADO	PIGTAIL PG7 WITH LOCKNUT
70	PNEB00004	FERMACAVO A CHIUSURA DALL'ALTO	TOP-CLOSING CABLE HOLDER
71	NE1148	DADO BASSO M8 ISO 4035 ZNB	LOW NUT M8 ISO 4035 ZNB
72	PNSS00002	SONDA AD ANGOLO IN RYTON	RYTON CORNER PROBE
73	NE1079	VITE AUTOFILET.3.9X9,5 DIN7981	SELF-TAPPING SCREW 3.9X9.5 DIN7981
74	PNSS00005	FILTRO ARIA 50 MICRON PER	50 MICRON AIR FILTER FOR
75	PNGS00006	TUBO SILICONE BIANCO 6x3.5 mm	WHITE SILICONE HOSE 6x3.5 mm
76	PNGS00005	TUBO SILICONE ROSSO 6x3.5 mm	RED SILICONE HOSE 6x3.5 mm
77	44006	TUBO SILICONE 5X8 X PRESSOST.	SILICONE HOSE 5X8 X P.SWITCH
78	PNGS00005	TUBO SILICONE ROSSO 6x3.5 mm	RED SILICONE HOSE 6x3.5 mm
79	PNSS00001	PRESA DI PRESSIONE	PRESSURE PLUG
80	44006	TUBO SILICONE 5X8 X PRESSOST.	SILICONE HOSE 5X8 X P.SWITCH
81	PNSS00006	RACCORDO PORTAGOMMA 6-8	RUBBER HOLDER FITTING 6-8
82	PNES00008	SONDA AMBIENTE NTC, L=1000mm CON CONNETTORE STOCKO	NTC ROOM PROBE, L=1000mm WITH STOCKO CONNECTOR
83	PNES00009	SONDA FUMI J, L=1000mm SENZA CONNETTORE	FLUE GAS PROBE J, L=1000mm WITHOUT CONNECTOR

Nomenclature des pièces détachées / Exploded view

JØTUL PF 1034

