

Nomenclature des pièces détachées / Exploded view

JØTUL PF 861 S

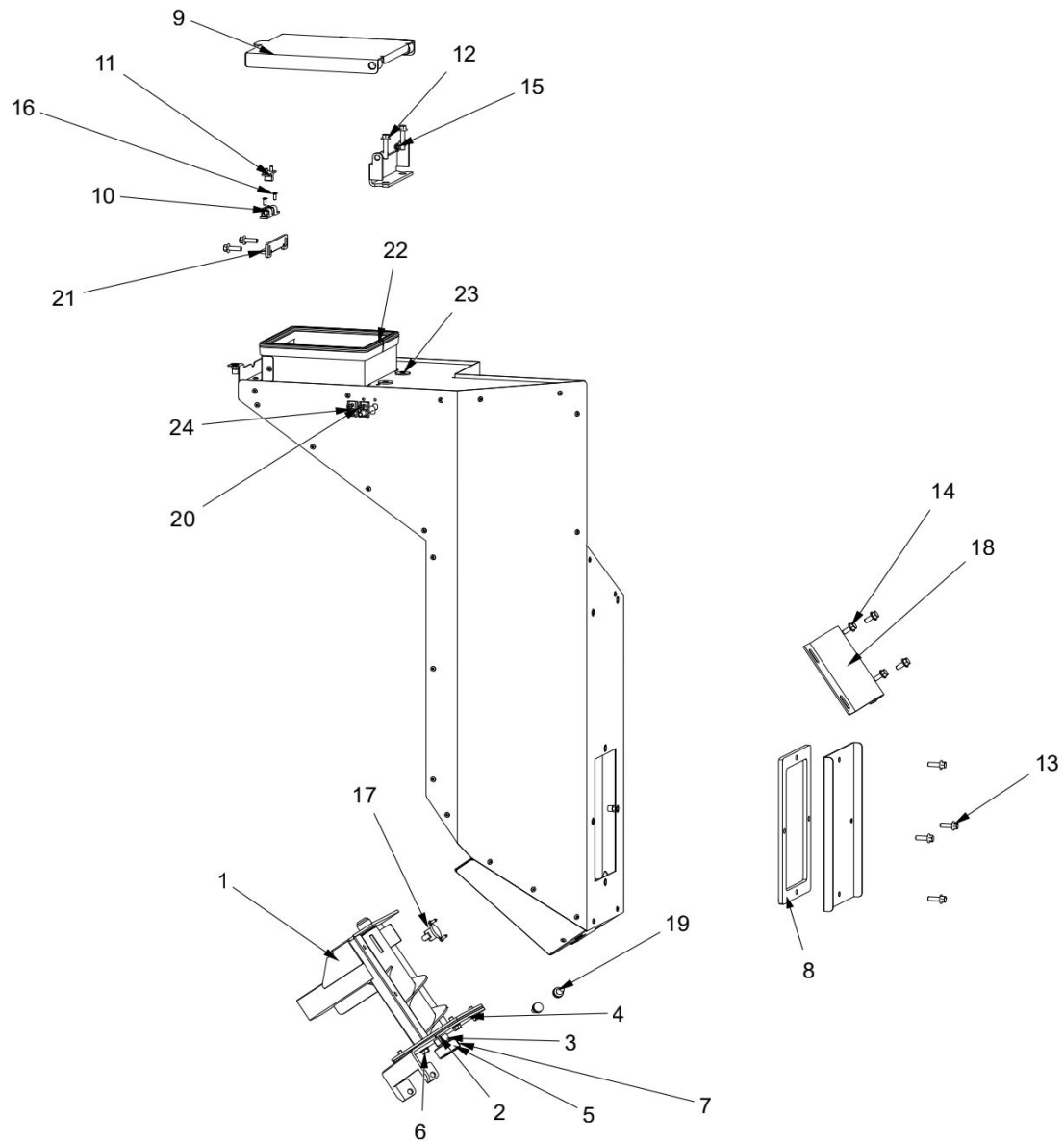


N°	CODICE	DESCRIZIONE IT	DESCRIZIONE EN
0	03A00010A	PORTA COMPLETA	DOOR ASSEMBLY
1	03A00008N-GSK	PORTA PF370	PF370 DOOR
2	70A00012N	VETRO CERAMICO 355x236x4	CERAMIC GLASS 355x236x4
3	NE1185	VITE TCEI 8.8 M5X10 UNI 5931 BN.	HEXAGON SOCKET HEAD CAP SCREW 8.8 M5X10 UNI 5931
4	PNGN00008	GUARNIZIONE BLACK TEX NERA	BLACK TEX GASKET
5	03G00022N	FERMAVETRO	GLASS HOLDER
6	014-66-002N-R	TRECCIA VETRO TRICOVET D10 GRIGIA	TRICOVET GLASS BRAID D10 GREY
6	014-66-002N-R1	TRECCIA VETRO TRICOVET D10 GRIGIA	TRICOVET GLASS BRAID D10 GREY

Nomenclature des pièces détachées / Exploded view

JØTUL PF 861 S





Nomenclature des pièces détachées / Exploded view

JØTUL PF 861 S

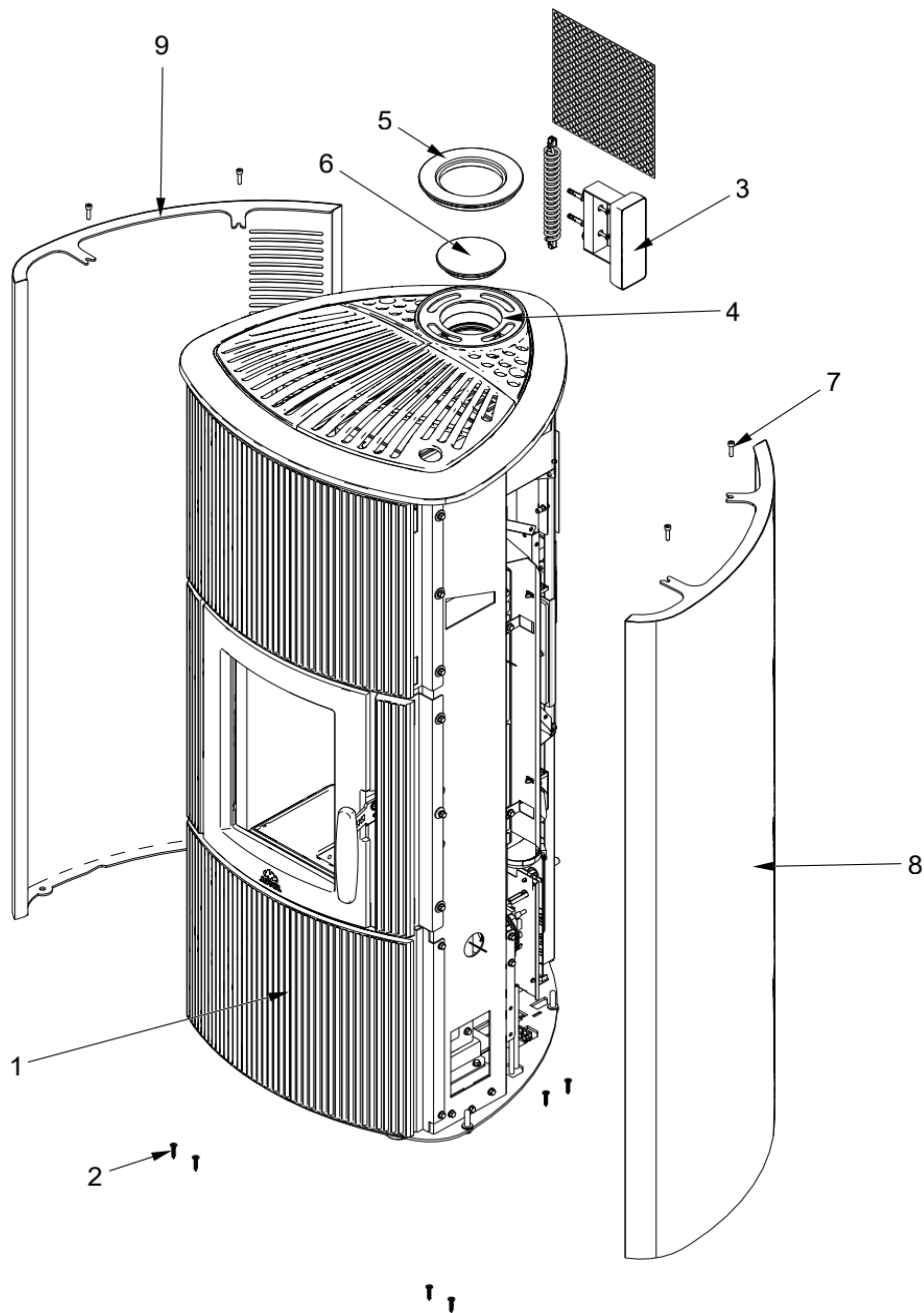


N°	CODICE	DESCRIZIONE IT	DESCRIZIONE EN
0	08X00129A	TRAMOGGIA E CARCAMENTO PELLET PF861	HOPPER AND PELLET LOADING PF861
1	13B00008S-BLK	ASSIEME PORTA COCLEA VERNIC.	PAINT.AUGER DOOR ASSEMBLY
2	C10-05-001S	ASSIEME COCLEA	AUGER ASSEMBLY
3	66094	BOCCOLA HIMON TFF 161812 MUEO	HIMON BUSHING TFF 161812 MUEO
4	44000	GOMMA DISTANZIALE	SPACER RUBBER
5	66139	BUSSOLA MOTORIDUTTORE	GEARMOTOR BUSH
6	NE1236	VITE AUTOFORMANTE TE FL. M5x12 FOSFATATA NERA DIN7500 BN	SELF-TAPPING HEX HEAD SCREW FL. M5x12 PHOSPHATED BLACK DIN7500
7	NE1066	GRANO PUNTA CONICA 45° 8X16 UNI 5927	CONICAL TIP GRAIN 45° 8X16 UNI 5927
8	014-66-007N	GUARN CARTA ECOL. SP.5	ECOL. PAPER GASKET TH.5
9	10D00021S-BPK	COPERCHIO PELLET	PELLET COVER
10	041-66-009N	SCROCCHETTO FEMMINA A 2 SFERE	2-BALL FEMALE LATCH
11	041-66-010N	SCROCCHETTO MASCHIO A 2 SFERE	2-BALL MALE LATCH
12	NE1277	VITE A FLANGIA DIN 6921 - M5 x 25 ZNN	FLANGE SCREW DIN 6921 - M5 x 25 ZNN
13	NE1023	VITE TE FL. M5X16 DIN 6921	HEX HEAD SCREW FL. M5X16 DIN 6921
14	NE1236	VITE AUTOFORMANTE TE FL. M5x12 FOSFATATA NERA DIN7500 BN	SELF-TAPPING HEX HEAD SCREW FL. M5x12 PHOSPHATED BLACK DIN7500
15	NE1066	GRANO PUNTA CONICA 45° 8X16 UNI 5927	CONICAL TIP GRAIN 45° 8X16 UNI 5927
16	NE1346	VITE SV.INT.CROCE M3X8 EN ISO	COUNTERSUNK INT.CROSS SCREW M3X8 EN ISO
17	PNEH00009	TERMOSTATO CAMPINI Ty60-A T 100°C RIARMO AUT.	CAMPINI THERMOSTAT Ty60-A T 100°C AUTOMATIC RESET
18	C10-05-002N	CAMICIA	JACKET
19	66140	GOMMINO PARACOLPI 2 ANELLI	SHOCK ABSORBER RUBBER 2 RINGS
20	NE1079	VITE AUTOFILET.3.9X9,5 DIN7981	SELF-TAPPING SCREW 3.9X9.5 DIN7981
21	031-08-020N	REGOLATORE	REGULATOR
22	44063	GUARNIZ.IN EPDM NERA 1011-24	BLACK EPDM GASKET 1011-24
23	NE1085	ROND.PIANA BN 6X18 UNI 6593	FLAT WASHER BN 6X18 UNI 6593
24	PNSS00002	SONDA AD ANGOLO IN RYTON (cod. N991001270)	RYTON CORNER PROBE (code N991001270)

Nomenclature des pièces détachées / Exploded view

JØTUL PF 861 S





Nomenclature des pièces détachées / Exploded view

JØTUL PF 861 S

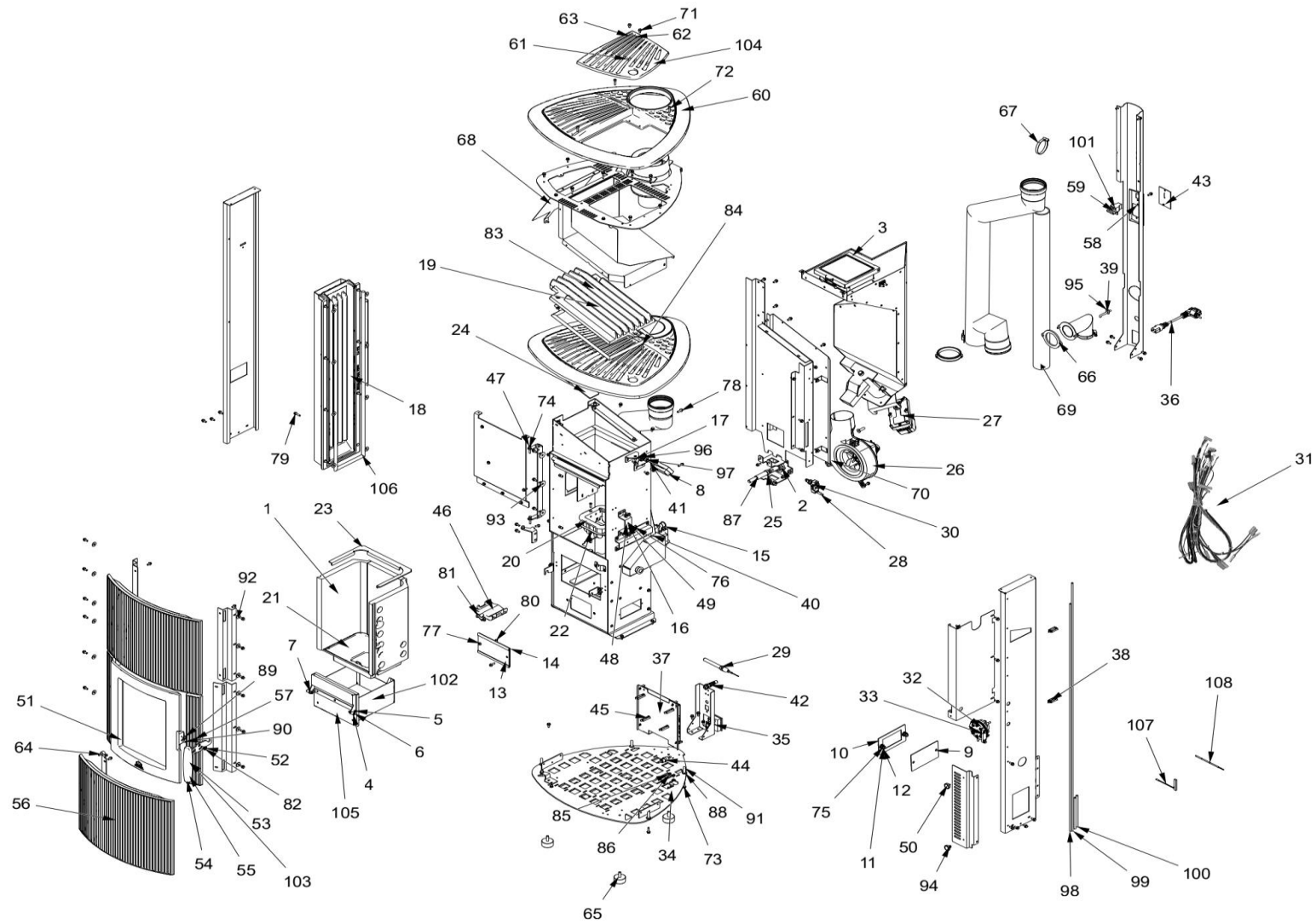


N°	CODICE	DESCRIZIONE IT	DESCRIZIONE EN
0	80035DJ01_A	PF861 S	PF861 S
1	Z0060CZ01	PRODOTTO SEMIASSEMBLATO PF861	SEMI-ASSEMBLED PRODUCT PF861
2	NE1308	VITE ST.4,5X25 DIN7982C	SELF-TAPPING SCREW 4/5X25 DIN7982C
3	K0125AZ00	KIT DISPLAY M31	M31 DISPLAY KIT
4	11I00197N-BGK	ROSONE DI FINITURA Ø80 PF861	HEAT GUARD Ø80 PF861
5	10C00038N	ANELLO RIDUZ TOP GHISA VERNIC	PAINT CAST IRON TOP RED RING
6	10C00037N	TAPPO GHISA DIAM 80 VERNIC	CAST IRON CUP DIAM 80 PAINTED
7	NE1180	VITE TCEI M5X20 UNI5931 8.8	HEXAGON SOCKET HEAD CAP SCREW M5X20 UNI5931 8.8
8	10B00044S-BRK	PANNELLO LATERALE SX	LEFT SIDE PANEL
8	10B00044S-BRC	PANNELLO LATERALE SX	LEFT SIDE PANEL
9	10B00033S-BRK	PANNELLO LATERALE DX	RIGHT SIDE PANEL

Nomenclature des pièces détachées / Exploded view

JØTUL PF 861 S





Nomenclature des pièces détachées / Exploded view

JØTUL PF 861 S



N°	CODICE	DESCRIZIONE IT	DESCRIZIONE EN
0	Z0060CZ01	PRODOTTO SEMIASSEMBLATO PF861	SEMI-ASSEMBLED PRODUCT PF861
1	031-14-001A	KIT VERMICULITE	VERMICULITE KIT
2	031-07-001S	ASS.CONTATTO MICRO	MICRO CONTACT ASSEMB.
3	08X00129A	TRAMOGGIA E CARCAMENTO PELLET PF861	HOPPER AND PELLET LOADING PF861
4	120-66-022N	BUSSOLA	BUSH
5	PNVV00015	VITE AUTOF. TE FL 4,8x9,5 ZNB	FL HEX HEAD SELF-TAPPING SCREW 4.8x9.5 ZNB
6	NE1039	VITE SV.EI PIANA M5X25 UNI5933	FLAT COUNTERSUNK HEX HEAD SCREW M5X25 UNI5933
7	NE1024	DADO FLANG.AUTOBL.M5 ISO7044	SELF-LOCK. FLANG.NUT M5 ISO7044
8	40B00006N	GUARNIZ.COCLEA SILICONE	SILICONE AUGER GASKET
9	100-11-045N	TAPPO	CUP
10	100-11-046N	GUARN CARTA SILCAWOOL SP.5	SILCAWOOL PAPER GASKET TH.5
11	100-66-010N	BUSSOLA	BUSH
12	3000-00-092	MOLLA	SPRING
13	031-10-002N-BLK	BOTOLA VERN.	PAINT.HATCH
14	031-66-033N	GUARNIZ.CONDOTTO FUMI SILICON.	SILICONE FLUE DUCT GASKET
15	66094	BOCCOLA HIMON TFF 161812 MUEO	HIMON BUSHING TFF 161812 MUEO
16	031-06-005N-BLK	STAFFA BUSSOLA MANIGLIA VERN.	PAINT. HANDLE BUSH BRACKET
17	031-01-039N	SUPPORTO	SUPPORT
18	031-10-023N-BLK	LATERALE SCAMBIO VERN.	PAINT.EXCHANGE SIDE
19	031-10-022N-BLK	TOP SCAMBIO VERN.	PAINT.EXCHANGE TOP
20	07C00003N	BRACIERE CIRCULAR 7/9	CIRCULAR FIRE POT 7/9
21	031-07-007N-BLK	SCIVOLO CENERE VERN.	PAINT.ASH RAMP
22	40A00029N	GUARNIZIONE	GASKET
23	012-15-002N	FERMA VERMICULITE	VERMICULITE HOLDER
24	047-15-002N	TAGLIAFIAMMA	FLAME TRAP
25	34A00027N	ALBERO	SHAFT
26	PNEE00009	CAF15Y-156LS Estrattore fumi	CAF15Y-156LS Smoke extractor
27	PNEG00012	MOTORIDUTTORE 2rpm CW - 230V 50Hz con sensore di HALL	GEARMOTOR 2rpm CW - 230V 50Hz with HALL sensor
28	55027	CAPOCORDA FEMM.BM 00191	FEMALE TERMINAL BM 00191
29	55537	CANDELETTA CERAM.PSX-6-B_240V	CERAM.IGNITER PSX-6-B_240V
30	55466	MICROINTERRUTTORE A PISTONCINO	PLUNGER MICROSWITCH

Nomenclature des pièces détachées / Exploded view

JØTUL PF 861 S



31	PNEC00107	PRESSOSTATO HUBA CONTROL TYPE 605 - 10 Pa	HUBA CONTROL PRESSURE SWITCH TYPE 605 - 10 Pa
32	PNEH00005	PRESSOSTATO HUBA CONTROL TYPE 605 - 10 Pa	HUBA CONTROL PRESSURE SWITCH TYPE 605 - 10 Pa
33	PNEB00002	CLIP PER PRESSOSTATO HUBA TYPE 605	CLIP FOR HUBA PRESSURE SWITCH TYPE 605
34	PNEH00004	LINGUETTA PER MESSA A TERRA	EARTHING TAB
35	55007-KIT	INTER.POLYSNAP BZ01001/S+FUSIB	INTER.POLYSNAP BZ01001/S+FUSIB
36	PNEF00005	SPINA SCHUKO CONN.IEC DIRITTO H05RR-F 3x0,75x1200mm	STRAIGHT IEC CONN.SCHUKO PLUG H05RR-F 3x0.75x1200mm
37	PNEM00016	ASSIEME CENTRALINA [ARIA] + ANTENNA M31	CONTROL UNIT ASSEMBLY [AIR] + ANTENNA M31
38	070-66-004N	CLIP FERMA CAVI INNESTO 19X11	COUPLING CABLE RETAINER CLIP 19X11
39	PNSS00002	SONDA AD ANGOLO IN RYTON (cod. N991001270)	RYTON CORNER PROBE (code N991001270)
40	55002	MOTORIDUTTORE 230V 50HZ 2 GIRI	GEARMOTOR 230V 50HZ 2 TURNS
41	55528	TERMOC."K"IEC 584 T.MAX > 200°	THERMOC. "K "IEC 584 T.MAX > 200°.
42	PNEC00072	PIGTAIL PG7 CON CONTRODADO	PIGTAIL PG7 WITH LOCKNUT
43	PNVS00003	RIVETTO PLASTICA NERA 9x5,5 (9725AA01)	BLACK PLASTIC RIVET 9x5.5 (9725AA01)
44	PNSS00005	FILTRO ARIA 240 µm PER SCHEDE M31	AIR FILTER 240 µm FOR M31 BOARD
45	PNEB00004	FERMACAVO A CHIUSURA DALL'ALTO 10695AA00	TOP-LOCKING CABLE HOLDER 10695AA00
46	031-07-008N	FONDELLO ROTANTE MICROFUSIONE	PRECISION CASTING ROTATING BACK PLATE
47	014-66-015N	PERNO	PIVOT
48	3800-00-138	ROTELLA	WHEEL
49	010-03-015N	BUSSOLA CHIUSURA	BUSH CLOSURE
50	L01-00-247	CALAMITA	MAGNET
51	03A00010A	PORTA COMPLETA	DOOR ASSEMBLY
52	100-66-018N	BUSSOLA	BUSH
53	06A00010S-BPK	MANIGLIA	HANDLE
54	06A00028N	POMELLO	KNOB
55	NE1053	VITE SV.PIANA M5 x 16 UNI 5933	COUNTERSUNK FLAT SCREW M5 x 16 UNI 5933
56	10E00146N-GSK	PANNELLO FRONT.SUP/INF PF370	FRONT PANEL UPP/LOW PF370
57	10E00145N-GSK	PANNELLO FRONTALE LATERALE PF370	PF370 SIDE FRONT PANEL
58	11B00005S-BPK	ASSIEME PANNELLO POSTERIORE	REAR PANEL ASSEMBLY
59	11J00198N	SUPPORTO SPLITTER DISPLAY	DISPLAY SPLITTER SUPPORT
60	10F00077N-GSK	TOP PF860	TOP PF860

Nomenclature des pièces détachées / Exploded view

JØTUL PF 861 S



61	10C00051N-GSK	COPERCHIO TOP PF370	TOP COVER PF370
62	NE1146	VITE TE FL. M5X8 DIN 6921	HEX HEAD SCREW FL. M5X8 DIN 6921
63	NE1002	GRANO M5X10 ESLOOK P.PIATTA	GRAIN M5X10 ESLOOK P.FLAT
64	100-66-008N	PIEDINO IN GOMMA 16XH10XM5	RUBBER FOOT 16XH10XM5
65	88004	PIEDINO IN GOMMA	RUBBER FOOT
66	40A00126N	GUARNIZIONE	GASKET
67	44040	FASCETTA ZINCATA 40-60	GALVANISED CLAMP 40-60
68	10F00084N-BLK	RETE SCAMBIATORE PF860	PF860 EXCHANGER NETWORK
69	PNFA00005	FLEX IN ALLUMINIO Ø50 ESTENS.DA 0,75mt. a 3 mt.	ALUMINIUM FLEX Ø50 EXTENSION FROM 0.75 m to 3 m
70	NE1236	VITE AUTOFORMANTE TE FL. M5x12 FOSFATATA NERA DIN7500	SELF-TAPPING HEX HEAD SCREW FL. M5x12 PHOSPHATED BLACK DIN7500
71	NE1102	VITE TE FL. M5X10 DIN 6921 8.8	HEX HEAD SCREW FL. M5X10 DIN 6921 8.8
72	NE1180	VITE TCEI M5X20 UNI5931 8.8	HEXAGON SOCKET HEAD CAP SCREW M5X20 UNI5931 8.8
73	NE1292	VITE AUTOFORMANTE TE FL. M5x20 FOSFATATA NERA DIN7500	SELF-TAPPING HEX HEAD SCREW FL. M5x20 PHOSPHATED BLACK DIN7500
74	NE1058	ROND.PIANA D.5 UNI 6592 ZN	FLAT WASHER D.5 UNI 6592 ZN
75	NE1277	VITE A FLANGIA DIN 6921 - M5 x 25 ZNN	FLANGE SCREW DIN 6921 - M5 x 25 ZNN
76	NE1024	DADO FLANG.AUTOBL.M5 ISO7044	SELF-LOCK. FLANG.NUT M5 ISO7044
77	NE1023	VITE TE FL. M5X16 DIN 6921	HEX HEAD SCREW FL. M5X16 DIN 6921
78	NE1023	VITE TE FL. M5X16 DIN 6921	HEX HEAD SCREW FL. M5X16 DIN 6921
79	NE1028	VITE TE FL. M5X20 DIN 6921	HEX HEAD SCREW FL. M5X20 DIN 6921
80	NE1294	GRANO M8X10 ESLOOK P.PIATTA UNI5923 DIN913-ISO4026	GRAIN M8X10 ESLOOK P.FLAT UNI5923 DIN913-ISO4026
81	NE1185	VITE TCEI 8.8 M5X10 UNI 5931 BN.	HEXAGON SOCKET HEAD CAP SCREW 8.8 M5X10 UNI 5931 BN.
82	NE1129	VITE SV.EI PIANA M5X18 UNI5933	FLAT COUNTERSUNK HEX HEAD SCREW M5X18 UNI5933
83	NE1402	DADO FLANG.CL.8 M5 ISO4161 ZNB	FLANGE NUT CL.8 M5 ISO4161 ZNB
84	PNVG00002	GRANO M5X40	GRAIN M5X40
85	NE1385	ROND.DENTELLATA D.5 DIN6798A ZN-NERA	TOOTHED WASHER D.5 DIN6798A ZN-BLACK
86	PNVV00005	VITE AUTOF. TEFL M4x8 ZN NERA	SELF-TAPPING SCREW TEFL M4x8 ZN BLACK
87	NE1188	VITE TE FL. M5X12 DIN 6921	HEX HEAD SCREW FL. M5X12 DIN 6921
88	NE1073	ROND. PIANA ZN 5X15 UNI6593	FLAT WASHER ZN 5X15 UNI6593
89	NE1153	RONDELLA ELASTICA CONVESSA D10.5X18 SP.0.8 DIN 137A	CONVEX SPRING WASHER D10.5X18 SP.0.8 DIN 137A
90	NE1271	GRANO M5X16 P.PIATTA UNI5923	RAIN M5X16 P.FLAT UNI5923

Nomenclature des pièces détachées / Exploded view

JØTUL PF 861 S



91	40B00008N	CAPPUCCIO SILICONE KAP 204 4,50x15x25	SILICONE CAP KAP 204 4.50x15x25
92	NE1087	DADO BASSO M10 ISO 4035 GREZZO	LOW NUT M10 ISO 4035 UNFINISHED
93	NE1071	RONDELLA D. 6X24X2 ZNN	WASHER D. 6X24X2 ZNN
94	NE1126	DADO M5 UNI 5588 ZN	NUT M5 UNI 5588 ZN
95	NE1079	VITE AUTOFILET.3.9X9,5 DIN7981	SELF-TAPPING SCREW 3.9X9.5 DIN7981
96	NE1369	DADO ESAGONALE CL.8 1/8 GASxCH.14xH.4 ZG	HEXAGONAL NUT CL.8 1/8 GASxCH.14xH.4 ZG
97	018-66-008N	RACCORDO A COMPRESSIONE 1/8GAS	COMPRESSION FITTING 1/8GAS
98	PNGS00006	TUBO SILICONE BIANCO Ø6 est. x Ø3,5 int - lg = 1100 mm	WHITE SILICONE PIPE Ø6 ext. x Ø3.5 int - lg = 1100 mm
99	PNGS00006	TUBO SILICONE BIANCO Ø6 est. x Ø3,5 int - lg = 1200 mm	WHITE SILICONE PIPE Ø6 ext. x Ø3.5 int - lg = 1200 mm
100	PNGS00005	TUBO SILICONE ROSSO Ø6 est. x Ø3,5 int - lg = 150 mm	RED SILICONE PIPE Ø6 ext. x Ø3.5 int - lg = 150 mm
101	PNEC00104	SDOPPIATORE TELEFONICO RJ12 (ELCART art. 40/25510-00)	TELEPHONE SPLITTER RJ12 (ELCART art. 40/25510-00)
102	12B00011A	CASSETTO CENERE ASSEMBLATO	ASSEMBLED ASH DRAWER
103	06A00007A	ASSIEME MANIGLIA PF 860	HANDLE ASSEMBLY PF 860
104	10C00010A	TOP ASSEMBLATO PF 860	ASSEMBLED TOP PF 860
105	1800-00-067-R	TRECCIA DI VETRO TRECOVET D.14	TRECOVET GLASS BRAID D.14
105	1800-00-067-R1	TRECCIA DI VETRO TRECOVET D.14	TRECOVET GLASS BRAID D.14
106	44065-R	TRECCIA VETRO TRICOVET D12 GRIGIA	GREY TRICOVET D12 GLASS BRAID
106	44065-R1	TRECCIA VETRO TRICOVET D12 GRIGIA	GREY TRICOVET D12 GLASS BRAID
107	PNES00008	SONDA AMBIENTE NTC, L=1000mm CON CONNETTORE STOCKO	NTC ROOM PROBE, L=1000mm WITH STOCKO CONNECTOR
108	PNES00009	SONDA FUMI J, L=1000mm SENZA CONNETTORE	FLUE GAS PROBE J, L=1000mm WITHOUT CONNECTOR

Nomenclature des pièces détachées / Exploded view

JØTUL PF 861 S

