

Nomenclature des pièces détachées / Exploded view

JØTUL PF 912 S

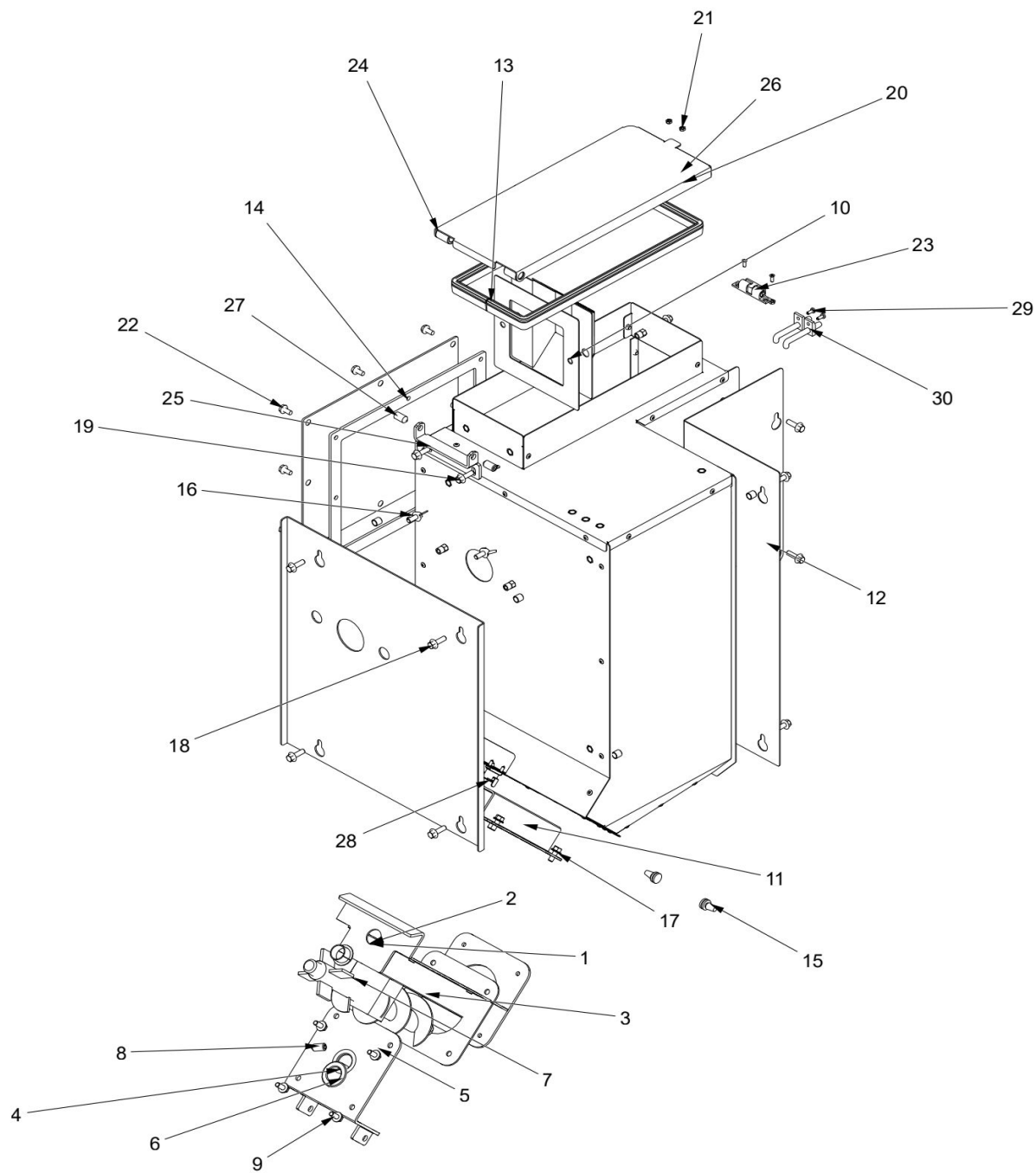


N°	CODICE	DESCRIZIONE IT	DESCRIZIONE EN
0	03B00050A	ASSIEME PORTA COMPLETA PF911 S	COMPLETE DOOR ASSEMBLY PF911 S
1	03B00044S-BGK	TELAIO PORTA	DOOR FRAMEWORK
2	NE1003	RIVET.STRAP.AL/AC 4X8 DIN7337L	RIVET.STRAP.AL/AC 4X8 DIN7337L
3	NE1236	VITE AUTOFORMANTE TE FL. M5x12 FOSFATATA NERA DIN7	SELF-TAPPING HEX HEAD SCREW FL. M5x12 PHOSPHATED
4	PNGN00008	GUARNIZIONE BLACK TEX NERO ADESIVO 8X1	ADHESIVE TAPE BLACK TEX GASKET 8X1
5	03G00026N	FERMAVETRO PIATTINA 8X1 PF911 SOST.03G00007N	PLATE GLASS HOLDER 8X1 PF911 SUBST.03G00007N
6	70B00036N	VETRO PIANO CERAMICO SERIGRAFATO	SCREEN-PRINTED CERAMIC FLAT GLASS
7	03E00030N-BLK	STAFFA SUPPORTO INFERIORE PIATTINA 8X1 PF911 SOST.03	PLATE LOWER SUPPORT BRACKET 8X1 PF911 SUBST.03E00
8	1800-00-067-R	TRECCIA DI VETRO TRECOVET D.14	TRECOVET GLASS BRAID D.14
8	1800-00-067-R1	TRECCIA DI VETRO TRECOVET D.14	TRECOVET GLASS BRAID D.14
9	1800-12-004-R	NASTRO DI VETRO TRICOTEE 10X3	TRICOTEE GLASS TAPE 10X3
9	1800-12-004-R1	NASTRO DI VETRO TRICOTEE 10X3	TRICOTEE GLASS TAPE 10X3

Nomenclature des pièces détachées / Exploded view

JØTUL PF 912 S





Nomenclature des pièces détachées / Exploded view

JØTUL PF 912 S

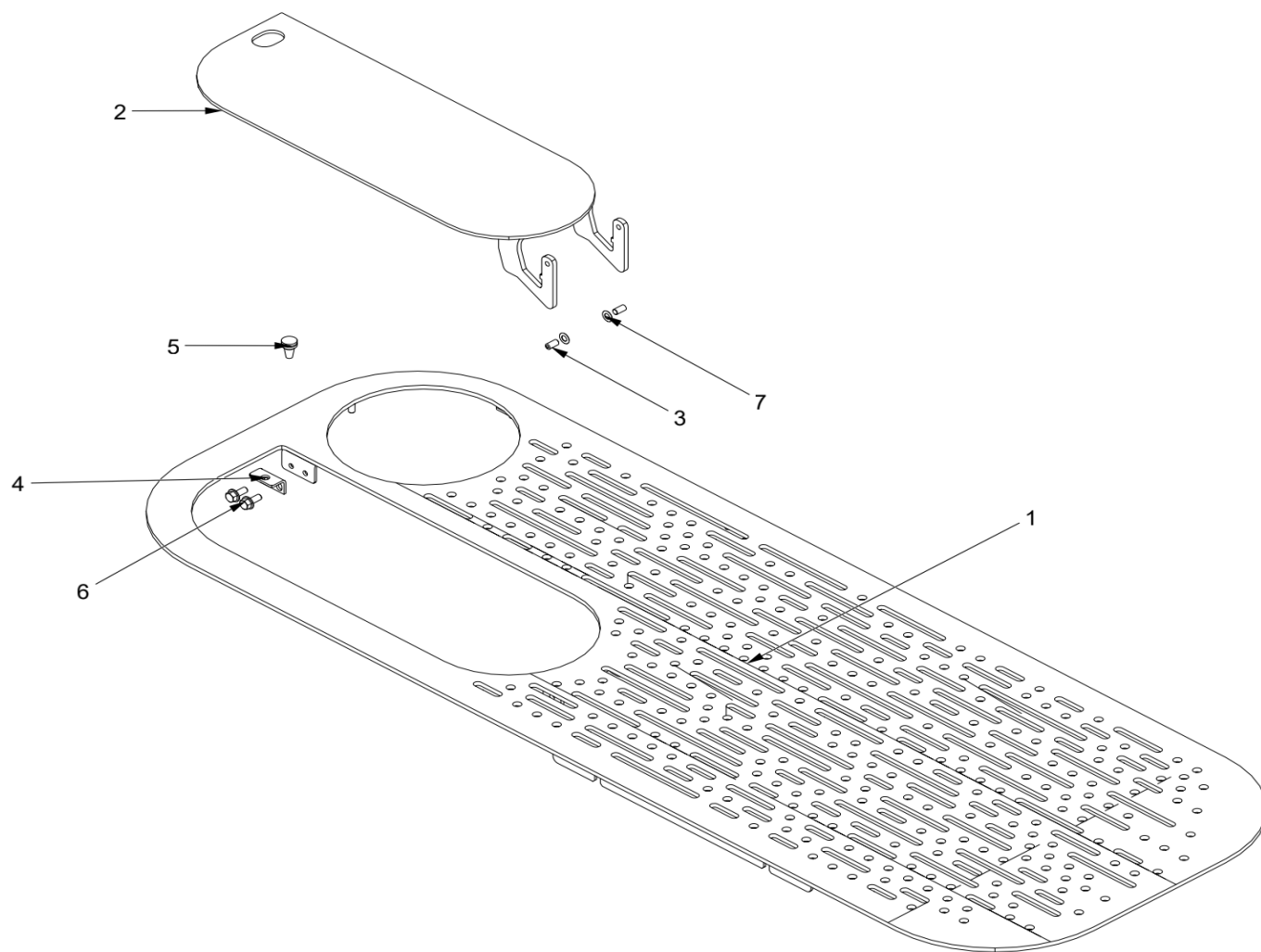


N°	CODICE	DESCRIZIONE IT	DESCRIZIONE EN
0	08X00123A	ASSIEME COCLEA + TRAMOGGIA	AUGER + HOPPER ASSEMBLY
1	047-13-001A	ASS.SCIVOLO PELLET	PELLET CHUTE ASSEMB.
2	047-13-001S-BLK	ASS.STRUTTURA FISS.COCLEA VERN	PAINT AUGER FIX.STRUCTURE ASSEMB.
3	44000	GOMMA DISTANZIALE	SPACER RUBBER
4	070-13-008N	PIASTRA MOTORIDUTTORE	GEARMOTOR PLATE
5	66094	BOCCOLA HIMON TFF 161812 MUEO	HIMON BUSHING TFF 161812 MUEO
6	66139	BUSSOLA MOTORIDUTTORE	GEARMOTOR BUSH
7	20005	ASSIEME COCLEA	AUGER ASSEMBLY
8	NE1066	GRANO PUNTA CONICA 45° 8X16 UNI 5927	CONICAL TIP GRAIN 45° 8X16 UNI 5927
9	NE1236	VITE AUTOFORMANTE TE FL. M5x12 FOSFATATA NERA DIN7500 BN33	SELF-TAPPING HEX HEAD SCREW FL. M5x12 PHOSPHATED BLACK DIN7
10	033-66-013N	GUARN CARTA SILCAWOOL(CER ECO)	SILCAWOOL PAPER GASKET(CER ECO)
11	047-05-001N	CAMICIA	JACKET
12	66100	BUSSOLA FULCRO MANIGLIA	HANDLE FULCRUM BUSH
13	44063	GUARNIZ.IN EPDM NERA 1011-24	BLACK EPDM GASKET 1011-24
14	036-00-001N	GUARNIZ.SILICON.RES.210 NERO	RES.SILICONE GASKET 210 BLACK
15	66140	GOMMINO PARACOLPI 2 ANELLI	SHOCK ABSORBER RUBBER 2 RINGS
16	NE1187	VITE AD ALETTA M5X12 UNI 5449 H11 ZN	WING SCREW M5X12 UNI 5449 H11 ZN
17	NE1236	VITE AUTOFORMANTE TE FL. M5x12 FOSFATATA NERA DIN7500 BN33	SELF-TAPPING HEX HEAD SCREW FL. M5x12 PHOSPHATED BLACK DIN7
18	NE1023	VITE TE FL. M5X16 DIN 6921	HEX HEAD SCREW FL. M5X16 DIN 6921
19	NE1023	VITE TE FL. M5X16 DIN 6921	HEX HEAD SCREW FL. M5X16 DIN 6921
20	NE1346	VITE SV.INT.CROCE M3X8 EN ISO	COUNTERSUNK INT.CROSS SCREW M3X8 EN ISO
21	NE1248	DADO CL.8 M3 ZN UNI 5588	NUT CL.8 M3 ZN UNI 5588
22	PNVV00015	VITE AUTOF. TE FL 4,8x9,5 ZNB	SELF-TAPPING HEX HEAD SCREW FL 4.8x9.5 ZNB
23	041-66-009N	SCROCCHETTO FEMMINA A 2 SFERE	2-BALL FEMALE LATCH
24	10D00024S-BPK	COPERCHIO PELLET	PELLET COVER
25	06C00112N	CERNIERA COPERCHIO PELLET	PELLET COVER HINGE
26	041-66-010N	SCROCCHETTO MASCHIO A 2 SFERE	2-BALL MALE LATCH
27	NE1066	GRANO PUNTA CONICA 45° 8X16 UNI 5927	CONICAL TIP GRAIN 45° 8X16 UNI 5927
28	PNEH00009	TERMOSTATO CAMPINI Ty60-A T 100°C RIARMO AUT.	CAMPINI THERMOSTAT Ty60-A T 100°C AUTOMATIC RESET
29	NE1079	VITE AUTOFILET.3.9X9,5 DIN7981	SELF-TAPPING SCREW 3.9X9.5 DIN7981
30	PNSS00002	SONDA AD ANGOLO IN RYTON (cod. N991001270)	RYTON CORNER PROBE (code N991001270)

Nomenclature des pièces détachées / Exploded view

JØTUL PF 912 S





Nomenclature des pièces détachées / Exploded view

JØTUL PF 912 S

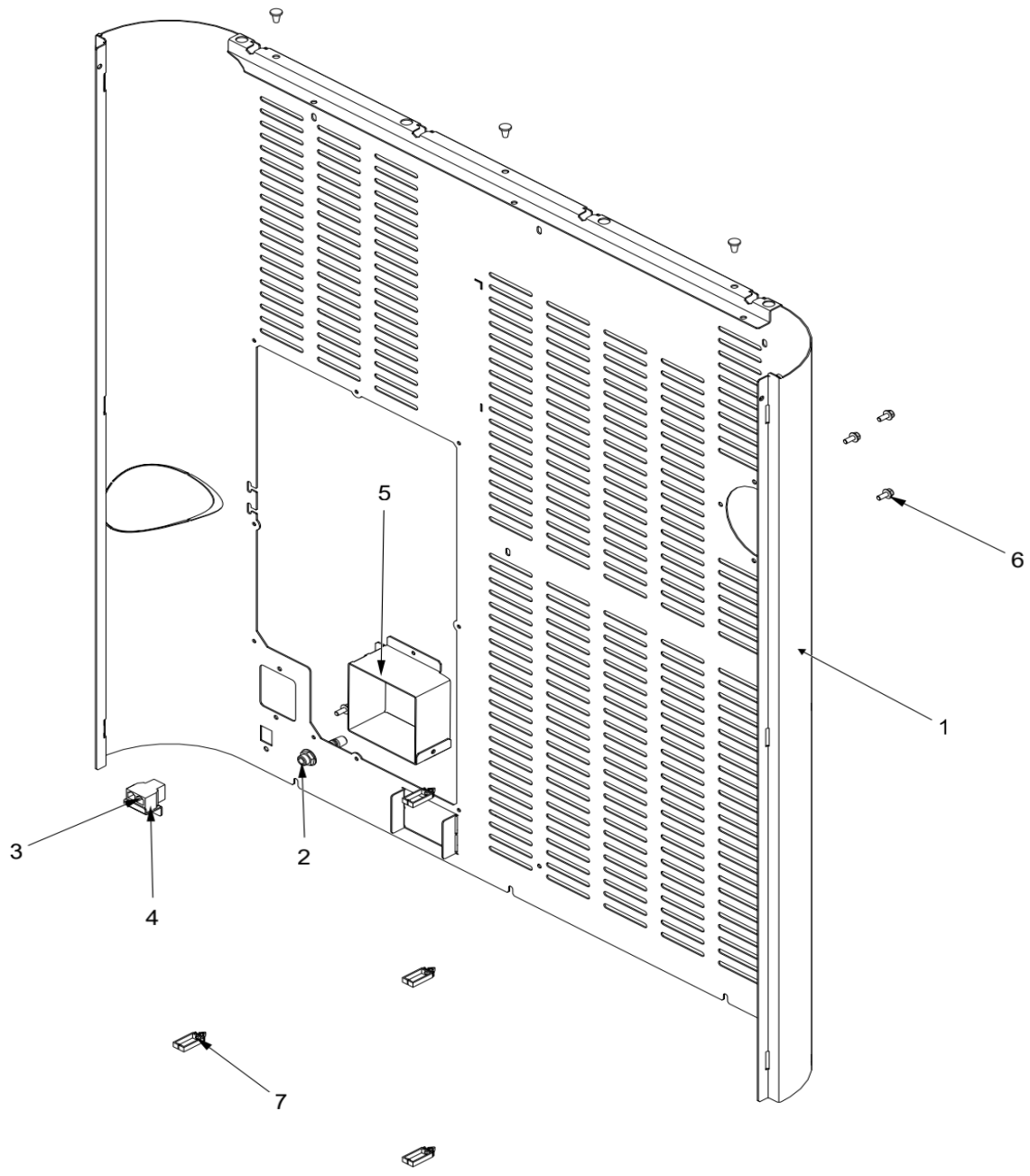


N°	CODICE	DESCRIZIONE IT	DESCRIZIONE EN
0	10F00043A	TOP ASSEMBLATO	ASSEMBLED TOP
1	10F00042A-BGK	TOP VERNICIATO	PAINTED TOP
2	10D00014S-BGK	COPERCHIO TRAMOGGIA VERNICIATO	PAINTED HOPPER COVER
3	NE1002	GRANO M5X10 ESLOOK P.PIATTA	GRAIN M5X10 ESLOOK P.FLAT
4	11D00012N-BGK	SQUADRETTA BATTUTA SPORTELLLO	DOOR STOP BRACKET
5	66140	GOMMINO PARACOLPI 2 ANELLI	SHOCK ABSORBER RUBBER 2 RINGS
6	NE1236	VITE AUTOFORMANTE TE FL. M5x12 FOSFATATA NERA DIN7500 BN33	SELF-TAPPING HEX HEAD SCREW FL. M5x12 PHOSPHATED BLACK DIN7
7	NE1152	RONDELLA ELASTICA CONVESSA D5.3X10 SP.0.5 DIN 137A	CONVEX SPRING WASHER D5.3X10 SP.0.5 DIN 137A

Nomenclature des pièces détachées / Exploded view

JØTUL PF 912 S





Nomenclature des pièces détachées / Exploded view

JØTUL PF 912 S

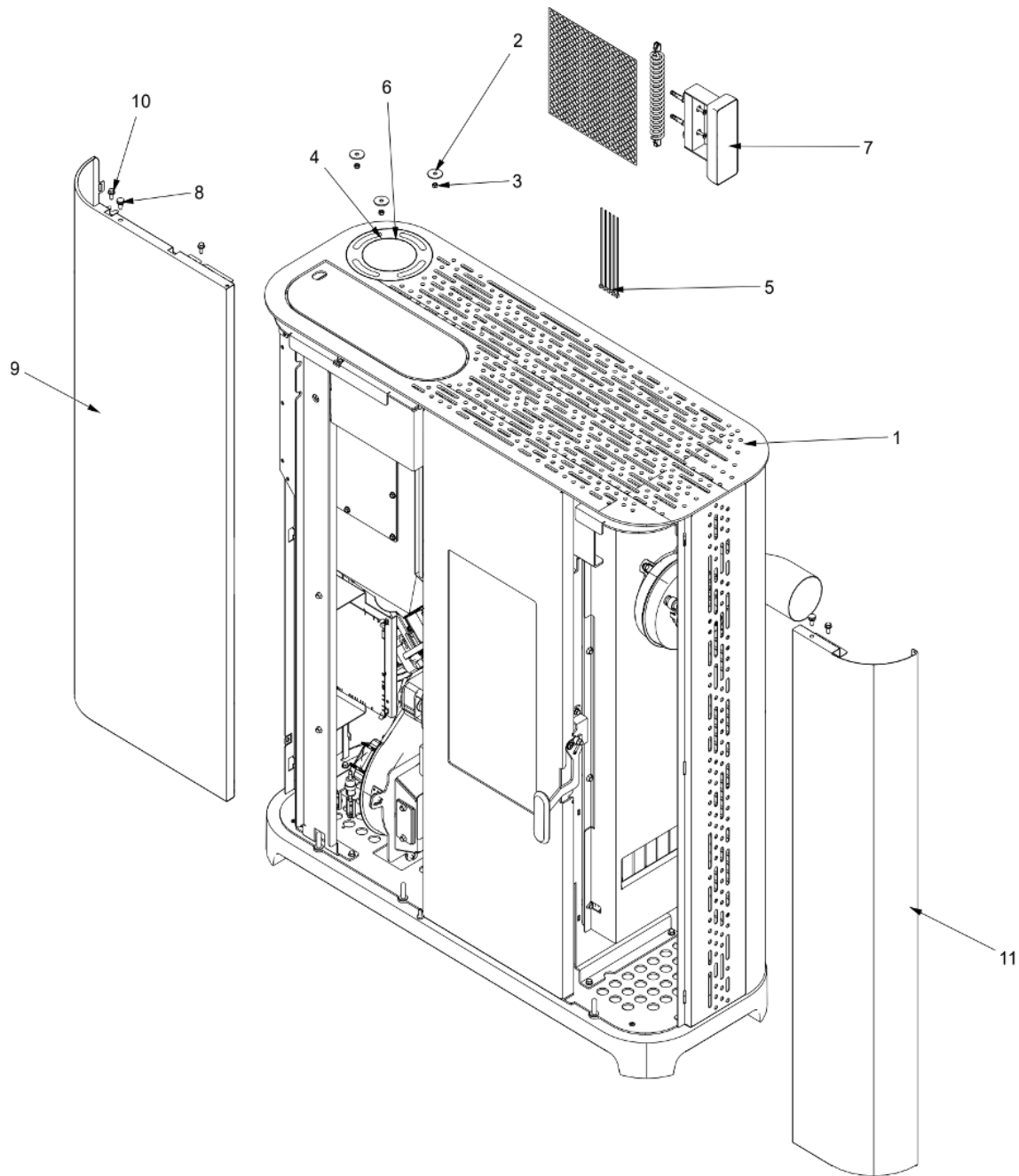


N°	CODICE	DESCRIZIONE IT	DESCRIZIONE EN
0	11B00025A	PANNELLO POSTERIORE PF911	REAR PANEL PF911
1	10K00082N-BRK	PANNELLO POSTERIORE	REAR PANEL
2	PNEC00072	PIGTAIL PG7 CON CONTRODADO	PIGTAIL PG7 WITH LOCKNUT
3	PNEC00104	SDOPPIATORE TELEFONICO RJ12 (ELCART art. 40/25510-00)	TELEPHONE SPLITTER RJ12 (ELCART art. 40/25510-00)
4	11J00198N	SUPPORTO SPLITTER DISPLAY	DISPLAY SPLITTER SUPPORT
5	28C00031N	CANALIZZAZIONE	DUCTING
6	NE1236	VITE AUTOFORMANTE TE FL. M5x12 FOSFATATA NERA DIN7500 BN33	SELF-TAPPING HEX HEAD SCREW FL. M5x12 PHOSPHATED BLACK DIN7
7	070-66-004N	CLIP FERMA CAVI INNESTO 19X11	COUPLING CABLE RETAINER CLIP 19X11

Nomenclature des pièces détachées / Exploded view

JØTUL PF 912 S





Nomenclature des pièces détachées / Exploded view

JØTUL PF 912 S

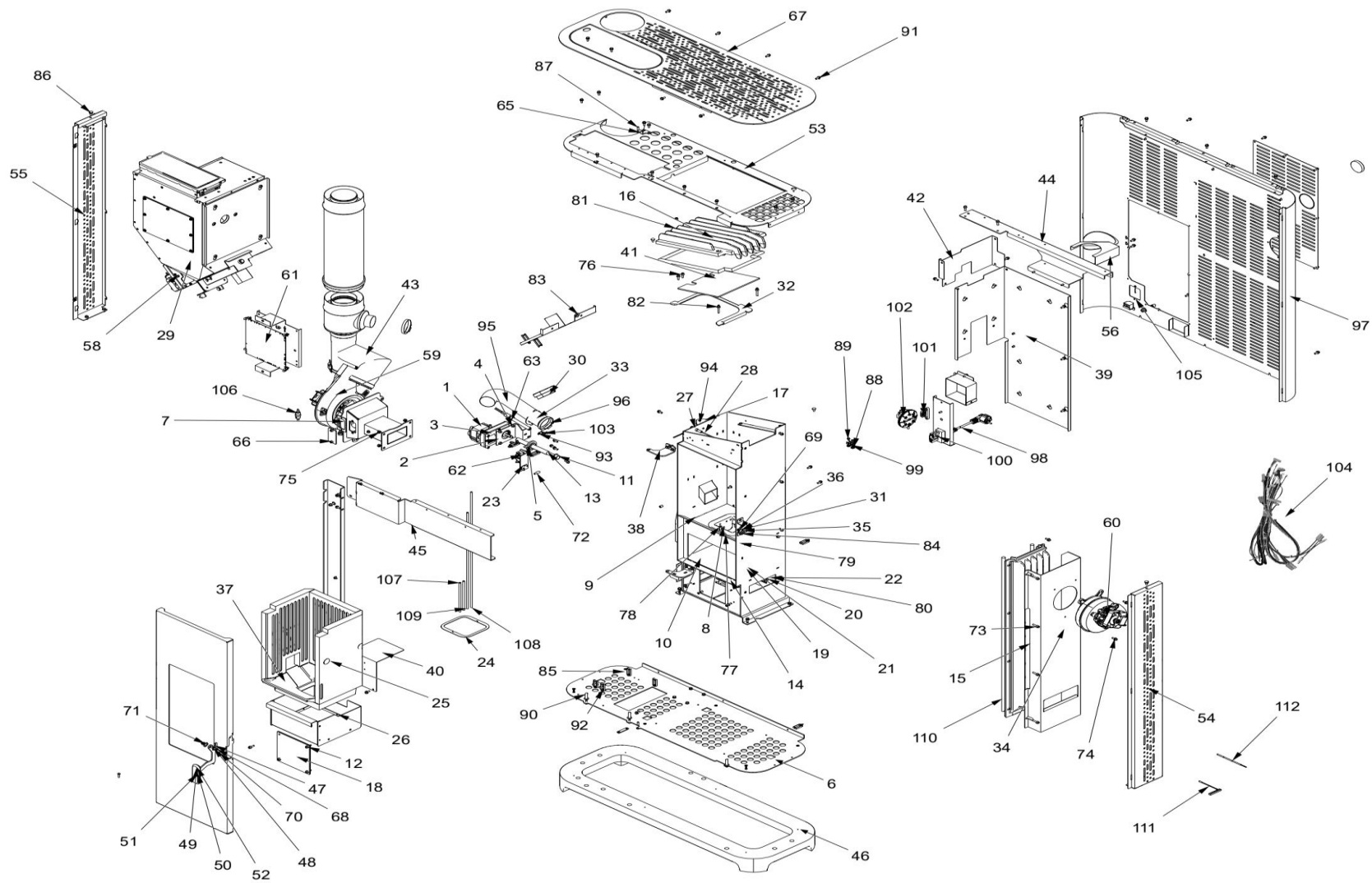


N°	CODICE	DESCRIZIONE IT	DESCRIZIONE EN
0	90037DJ01_A	PF 912 S	PF 912 S
1	Z0062DJ01	PRODOTTO SEMIASSEMBLATO PF912	SEMI-ASSEMBLED PRODUCT PF912
2	NE1071	RONDELLA D. 6X24X2 ZNN	WASHER D. 6X24X2 ZNN
3	NE1126	DADO M5 UNI 5588 ZN	NUT M5 UNI 5588 ZN
4	10C00052N	TAPPO	CUP
5	44009	FASCETTA STRINGITUBO CV140K	HOSE CLAMP CV140K
6	11I00199N	ROSONE DI FINITURA Ø80 PF912	HEAT GUARD Ø80 PF912
7	K0125AZ00	KIT DISPLAY M31	M31 DISPLAY KIT
8	66140	GOMMINO PARACOLPI 2 ANELLI	SHOCK ABSORBER RUBBER 2 RINGS
9	10B00167N	PANNELLO LATERALE SX	LEFT SIDE PANEL
10	NE1236	VITE AUTOFORMANTE TE FL. M5x12 FOSFATATA NERA DIN7500 BN33	SELF-TAPPING HEX HEAD SCREW FL. M5x12 PHOSPHATED BLACK DIN7.
11	10B00166N	PANNELLO LATERALE DX	RIGHT SIDE PANEL

Nomenclature des pièces détachées / Exploded view

JØTUL PF 912 S





Nomenclature des pièces détachées / Exploded view

JØTUL PF 912 S



N°	CODICE	DESCRIZIONE IT	DESCRIZIONE EN
0	Z0062DJ01	PRODOTTO SEMIASSEMBLATO PF912	SEMI-ASSEMBLED PRODUCT PF912
1	11P00002A	ASSIEME MOTORIDUTTORE PF911	PF911 GEARMOTOR ASSEMBLY
2	047-11-004N	STAFFA MOTORE	MOTOR BRACKET
3	55002	MOTORIDUTTORE 230V 50HZ 2 GIRI	GEARMOTOR 230V 50HZ 2 TURNS
4	NE1188	VITE TE FL. M5X12 DIN 6921	HEX HEAD SCREW FL. M5X12 DIN 6921
5	031-07-001S	ASS.CONTATTO MICRO	MICRO CONTACT ASSEMB.
6	11A00040N-BPK	BASAMENTO VERNICIATO	PAINTED BASEMENT
7	070-11-049N	GUARNIZ.SILICONE	SILICONE GASKET
8	047-07-001N	BRACERE MICROFUSIONE	PRECISION CASTING FIRE POT
9	033-11-020N	TAPPO	CUP
10	047-66-005N	GUARN CARTA SILCAWOOL(CER ECO)	SILCAWOOL PAPER GASKET(CER ECO)
11	66094	BOCCOLA HIMON TFF 161812 MUEO	HIMON BUSHING TFF 161812 MUEO
12	047-01-021N	TAPPO	CUP
13	047-07-003N	PERNO MOTORIDUTTORE	GEARMOTOR PIVOT
14	031-07-008N	FONDELLO ROTANTE MICROFUSIONE	PRECISION CASTING ROTATING BACK PLATE
15	031-10-023N-BLK	LATERALE SCAMBIO VERN.	PAINT.EXCHANGE SIDE
16	031-10-022N-BLK	TOP SCAMBIO VERN.	PAINT.EXCHANGE TOP
17	031-01-039N	SUPPORTO	SUPPORT
18	047-66-006N	GUARN CARTA SILCAWOOL(CER ECO)	SILCAWOOL PAPER GASKET(CER ECO)
19	100-11-045N	TAPPO	CUP
20	100-11-046N	GUARN CARTA SILCAWOOL SP.5	SILCAWOOL PAPER GASKET TH.5
21	100-66-010N	BUSSOLA	BUSH
22	3000-00-092	MOLLA	SPRING
23	047-11-003N	STAFFA MICRO	MICRO BRACKET
24	40A00029N	GUARNIZIONE	GASKET
25	047-14-001A	KIT VERMICULITE OLIMPIA	OLIMPIA VERMICULITE KIT
26	047-12-001A	ASS.CASSETTO	DRAWER ASSEMBLY
27	018-66-008N	RACCORDO A COMPRESSIONE 1/8GAS	COMPRESSION FITTING 1/8GAS
28	55528	TERMOC."K"IEC 584 T.MAX > 200°	THERMOC. "K "IEC 584 T.MAX > 200°.
29	08X00123A	ASSIEME COCLEA + TRAMOGGIA	AUGER + HOPPER ASSEMBLY
30	40B00006N	GUARNIZ.COCLEA SILICONE	SILICONE AUGER GASKET

Nomenclature des pièces détachées / Exploded view

JØTUL PF 912 S



31	06B00050N-BLK	STAFFA SUPPORTO VERNICIATO	PAINTED SUPPORT BRACKET
32	047-15-001N	TAGLIAFIAMMA	FLAME TRAP
33	033-66-008N	GUARN CARTA SILCAWOOL(CER ECO)	SILCAWOOL PAPER GASKET(CER ECO)
34	28C00024N-BLK	CARTER VENTILAZIONE VERNICIATO	PAINTED VENTILATION CRANKCASE
35	3800-00-138	ROTELLA	WHEEL
36	010-03-015N	BUSSOLA CHIUSURA	BUSH CLOSURE
37	047-07-002N-BLK	SCIVOLO VERNICIATO	PAINTED RAMP
38	06C00084N-BLK	CERNIERA VERNICIATA	PAINTED HINGE
39	11J00205N	DISTANZIALE	SPACER
40	11B00099N	CARTER CALORE	HEAT CRANKCASE
41	047-15-002N	TAGLIAFIAMMA	FLAME TRAP
42	11B00073N-BLK	CARTER VERNICIATO	PAINTED CRANKCASE
43	09B00004A-BLK	SCARICO FUMI PF911	SMOKE EXHAUST PF911
44	11J00206N-BLK	STAFFA SUPPORTO VERNICIATA	PAINTED SUPPORT BRACKET
45	11J00211N-BLK	STAFFA SUPPORTO	SUPPORT BRACKET
46	10H00039N	BASAMENTO LEGNO	WOOD BASEMENT
47	03B00050A	PORTA COMPLETA	DOOR ASSEMBLY
48	100-66-018N	BUSSOLA	BUSH
49	06A00006A	MANIGLIA PF911/PF1033	HANDLE PF911/PF1033
50	06A00005S-BPK	MANIGLIA	HANDLE
51	06A00040N-BWG	IMPUGNATURA	GRIP
52	NE1195	VITE SV.EI PIANA M4X12 UNI5933	FLAT COUNTERSUNK HEX HEAD SCREW M4X12 UNI5933
53	11D00019N-BPK	SOTTO COPERCHIO VERNICIATO	PAINTED UNDERCOVER
54	10B00164N-BRK	PANNELLO LATERALE DX	RIGHT SIDE PANEL
55	10B00165N-BRK	PANNELLO LATERALE SX	LEFT SIDE PANEL
56	11J00233N	STAFFA SUPPORTO	SUPPORT BRACKET
57	06C00001A-BLK	CERNIERA	HINGE
58	PNEG00012	MOTORIDUTTORE 2rpm CW - 230V 50Hz con sensore di HALL	GEARMOTOR 2rpm CW - 230V 50Hz with HALL sensor
59	PNEE00009	CAF15Y-156LS Estrattore fumi	CAF15Y-156LS Smoke extractor
60	PNEA00011	CAH11Y3-004 Ventilatore centrifugo aria calda	CAH11Y3-004 Centrifugal hot air fan

Nomenclature des pièces détachées / Exploded view

JØTUL PF 912 S



61	PNEM00016	ASSIEME CENTRALINA (ARIA) +	CONTROL UNIT ASSEMBLY (AIR) +
62	55466	MICROINTERRUTTORE A PISTONCINO	PLUNGER MICROSWITCH
63	55537	CANDELETTA CERAM.PSX-6-B_240V	CERAM.IGNITER PSX-6-B_240V
64	02D00018S-BLK	ASS.SCATOLA FUMI VERNICIATA	PAINTED SMOKE BOX ASSEMB.
65	06C00111N-BPK	CERNIERA COPERCHIO	COVER HINGE
66	070-11-048N	TAPPO	CUP
67	10F00043A	TOP ASSEMBLATO	ASSEMBLED TOP
68	NE1053	VITE SV.PIANA M5 x 16 UNI 5933	COUNTERSUNK FLAT SCREW M5 x 16 UNI 5933
69	NE1024	DADO FLANG.AUTOBL.M5 ISO7044	SELF-LOCK. FLANG.NUT M5 ISO7044
70	NE1002	GRANO M5X10 ESLOOK P.PIATTA	GRAIN M5X10 ESLOOK P.FLAT
71	NE1153	RONDELLA ELASTICA CONVESSA D10.5X18 SP.0.8 DIN 137A	CONVEX SPRING WASHER D10.5X18 SP.0.8 DIN 137A
72	55027	CAPOCORDA FEMM.BM 00191	FEMALE TERMINAL BM 00191
73	NE1028	VITE TE FL. M5X20 DIN 6921	HEX HEAD SCREW FL. M5X20 DIN 6921
74	NE1236	VITE AUTOFORMANTE TE FL. M5x12 FOSFATATA NERA DIN7500 BN33	SELF-TAPPING HEX HEAD SCREW FL. M5x12 PHOSPHATED BLACK DIN7
75	NE1006	DADO M6 UNI 5588 ZNN	NUT M6 UNI 5588 ZNN
76	NE1023	VITE TE FL. M5X16 DIN 6921	HEX HEAD SCREW FL. M5X16 DIN 6921
77	NE1294	GRANO M8X10 ESLOOK P.PIATTA UNI5923 DIN913-ISO4026	GRAIN M8X10 ESLOOK P.FLAT UNI5923 DIN913-ISO4026
78	NE1129	VITE SV.EI PIANA M5X18 UNI5933	FLAT COUNTERSUNK HEX HEAD SCREW M5X18 UNI5933
79	NE1185	VITE TCEI 8.8 M5X10 UNI 5931 BN.	HEXAGON SOCKET HEAD CAP SCREW 8.8 M5X10 UNI 5931 BN.
80	NE1278	VITE A FLANGIA ISO 4162 - M5 x 30	FLANGE SCREW ISO 4162 - M5 x 30
81	PNVG00002	GRANO M5X40	GRAIN M5X40
82	NE1402	DADO FLANG.CL.8 M5 ISO4161 ZNB	FLANGE NUT CL.8 M5 ISO4161 ZNB
83	NE1369	DADO ESAGONALE CL.8 1/8 GASxCH.14xH.4 ZG	HEXAGONAL NUT CL.8 1/8 GASxCH.14xH.4 ZG
84	NE1287	VITE AUTOFORMANTE TE FL. M5x8 DIN7500 BN 3326	SELF-TAPPING HEX HEAD SCREW FL. M5x8 DIN7500 BN 3326
85	NE1308	VITE ST.4,5X25 DIN7982C	SELF-TAPPING SCREW 4/5X25 DIN7982C
86	66140	GOMMINO PARACOLPI 2 ANELLI	SHOCK ABSORBER RUBBER 2 RINGS
87	NE1271	GRANO M5X16 P.PIATTA UNI5923	RAIN M5X16 P.FLAT UNI5923
88	NE1385	ROND.DENTELLATA D.5 DIN6798A ZN-NERA	TOOTHED WASHER D.5 DIN6798A ZN-BLACK
89	PNVV00005	VITE AUTOF. TEFL M4x8 ZN NERA	SELF-T. SCREW TEFL M4x8 ZN BLACK
90	40B00008N	CAPPUCCIO SILICONE KAP 204 4,50x15x25	SILICONE CAP KAP 204 4.50x15x25

Nomenclature des pièces détachées / Exploded view

JØTUL PF 912 S



91	NE1188	VITE TE FL. M5X12 DIN 6921	HEX HEAD SCREW FL. M5X12 DIN 6921
92	PNEB00004	FERMACAVO A CHIUSURA DALL'ALTO 10695AA00	TOP-LOCKING CABLE HOLDER 10695AA00
93	NE1079	VITE AUTOFILET.3.9X9,5 DIN7981	SELF-TAPPING SCREW 3.9X9.5 DIN7981
94	NE1321	INSERTO INOX A2 IEC M5 SP.SER.	STAINLESS STEEL INSERT A2 IEC M5 SP.SER.
95	PNFA00005	TUBO FLESSIBILE D.50 ESTERNO IN SPEZZONI (cod. int. PNFA00005	L: FLEXIBLE PIPE D.50 OUTSIDE IN PIECES (code int. PNFA00005 L=150)
96	44040	FASCETTA ZINCATA 40-60	GALVANISED CLAMP 40-60
97	11B00025A	PANNELLO POSTERIORE PF911	REAR PANEL PF911
98	PNEF00005	SPINA SCHUKO CONN.IEC DIRITTO H05RR-F 3x0,75x1200mm	STRAIGHT IEC CONN.SCHUKO PLUG H05RR-F 3x0.75x1200mm
99	PNEH00004	LINGUETTA PER MESSA A TERRA	EARTHING TAB
100	55007-KIT	INTER.POLY SNAP BZ01001/S+FUSIB	INTER.POLY SNAP BZ01001/S+FUSIB
101	PNEB00002	CLIP PER PRESSOSTATO HUBA TYPE 605	CLIP FOR HUBA PRESSURE SWITCH TYPE 605
102	PNEH00005	PRESSOSTATO HUBA CONTROL TYPE 605 - 10 Pa	HUBA CONTROL PRESSURE SWITCH TYPE 605 - 10 Pa
103	PNSS00002	SONDA AD ANGOLO IN RYTON (cod. N991001270)	RYTON CORNER PROBE (code N991001270)
104	PNEC00108	KIT CABLAGGIO PF912 S M31	PF912 S M31 WIRING KIT
105	PNVS00003	RIVETTO PLASTICA NERA 9x5,5 (9725AA01)	BLACK PLASTIC RIVET 9x5.5 (9725AA01)
106	PNSS00005	FILTRO ARIA 240 µm PER SCHEDE M31	AIR FILTER 240 µm FOR M31 BOARD
107	PNGS00005	TUBO SILICONE ROSSO Ø6 est. x Ø3,5 int - lg = 250 mm	RED SILICONE PIPE Ø6 ext. x Ø3.5 int - lg = 250 mm
108	PNGS00006	TUBO SILICONE BIANCO Ø6 est. x Ø3,5 int - lg = 1500 mm	WHITE SILICONE PIPE Ø6 ext. x Ø3.5 int - lg = 1500 mm
109	PNGS00006	TUBO SILICONE BIANCO Ø6 est. x Ø3,5 int - lg = 800 mm	WHITE SILICONE PIPE Ø6 ext. x Ø3.5 int - lg = 800 mm
110	44065-R	TRECCIA VETRO TRICOVET D12 GRIGIA	GREY TRICOVET D12 GLASS BRAID
110	44065-R1	TRECCIA VETRO TRICOVET D12 GRIGIA	GREY TRICOVET D12 GLASS BRAID
111	PNES00008	SONDA AMBIENTE NTC, L=1000mm CON CONNETTORE STOCKO	NTC ROOM PROBE, L=1000mm WITH STOCKO CONNECTOR
112	PNES00009	SONDA FUMI J, L=1000mm SENZA CONNETTORE	FLUE GAS PROBE J, L=1000mm WITHOUT CONNECTOR

Nomenclature des pièces détachées / Exploded view

JØTUL PF 912 S

